



U.S.A./CANADA/AUSTRALIA

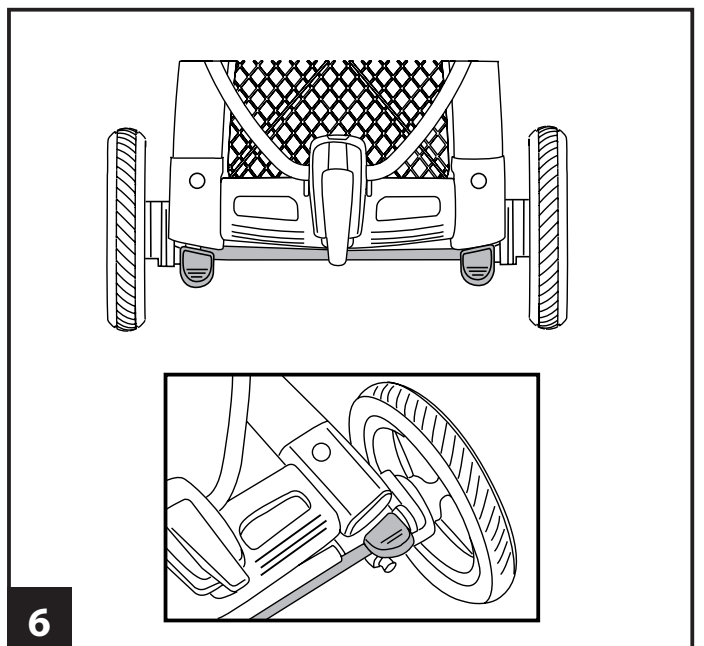
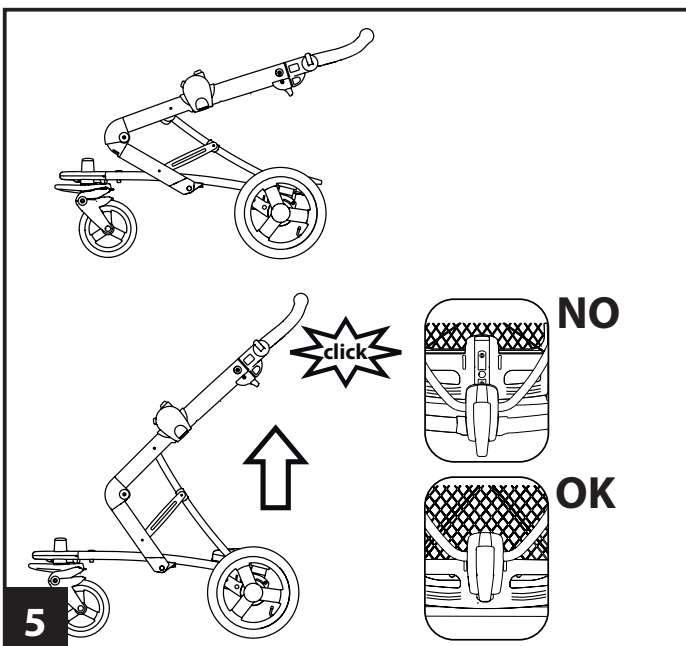
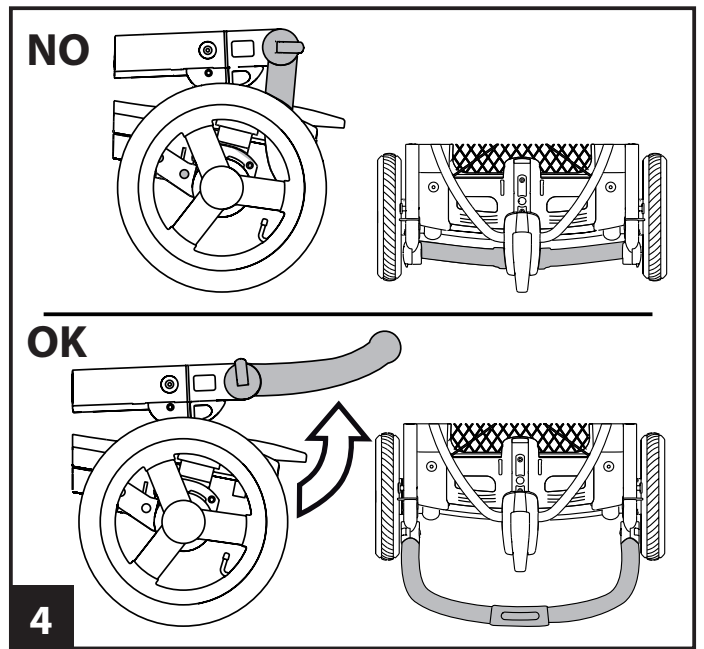
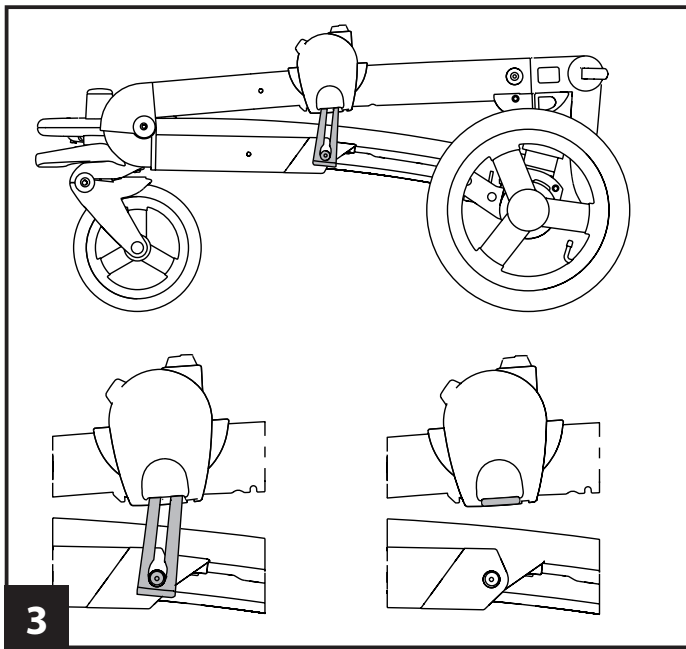
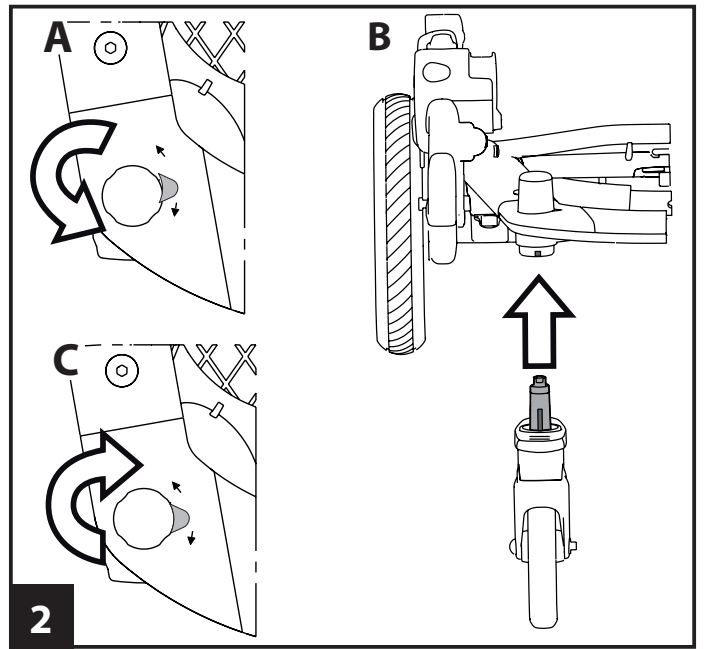
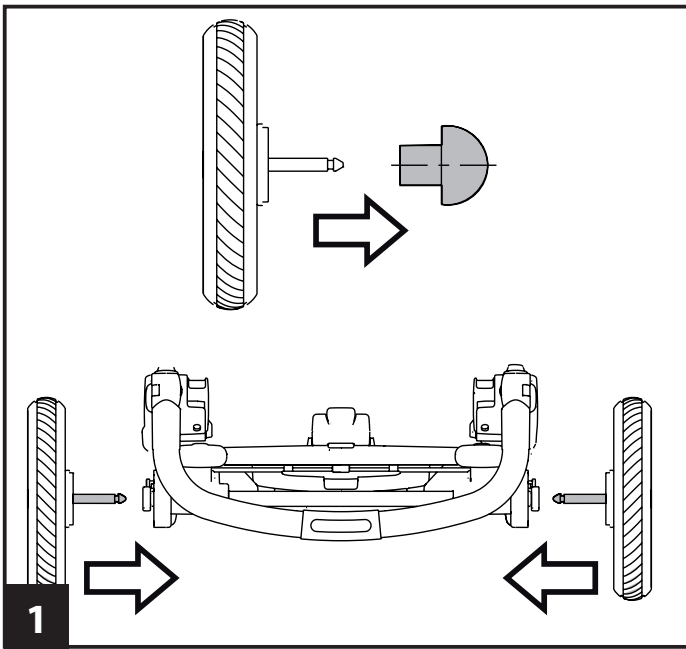
EN Instructions for use

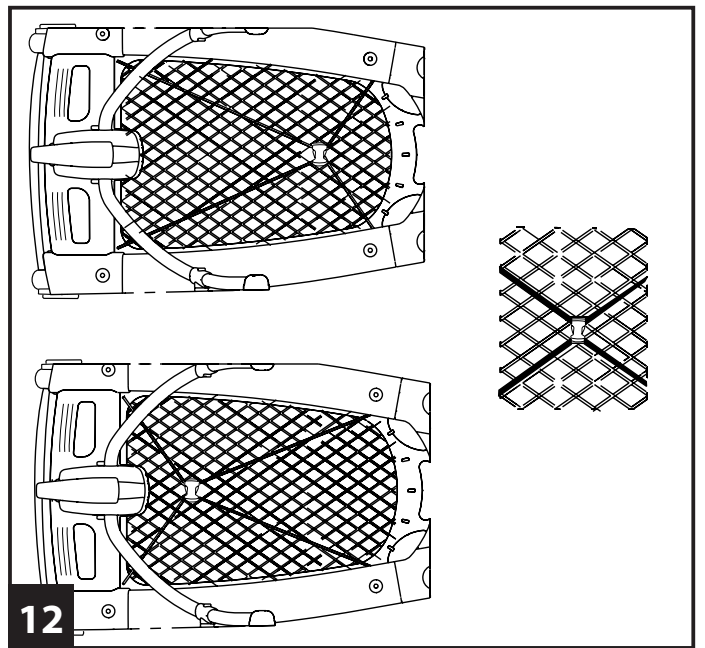
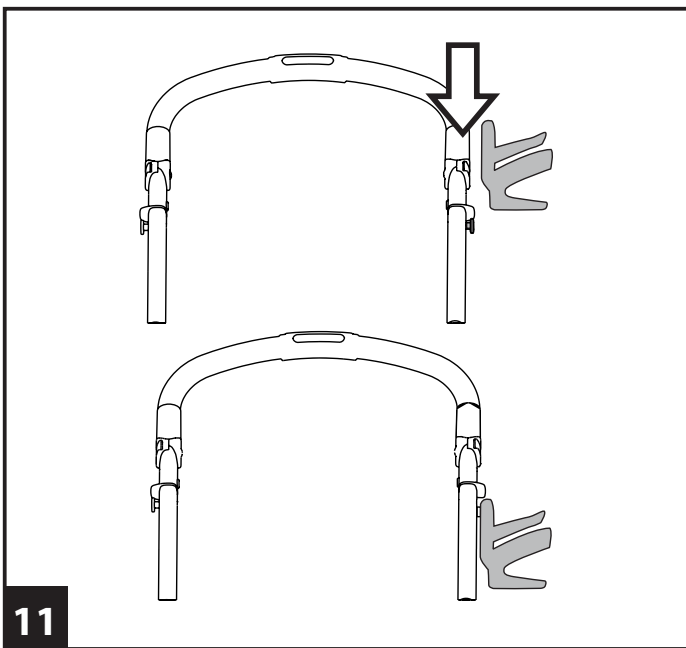
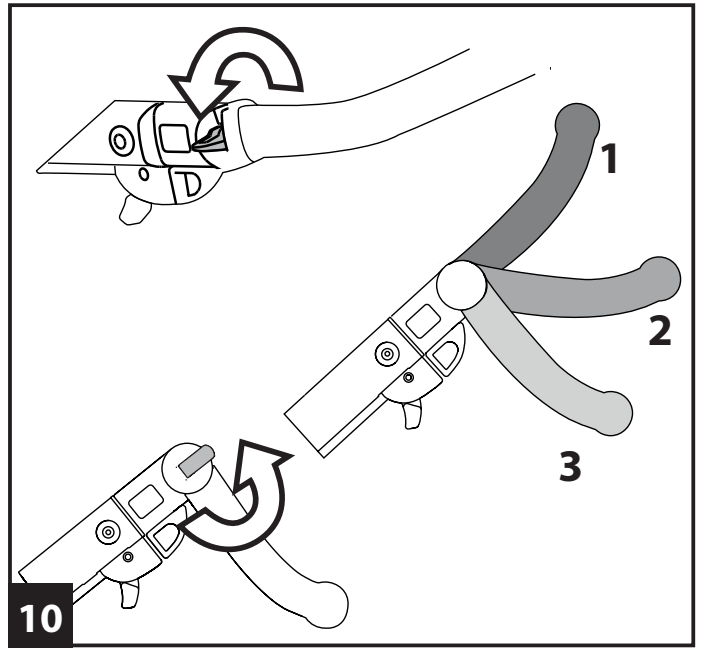
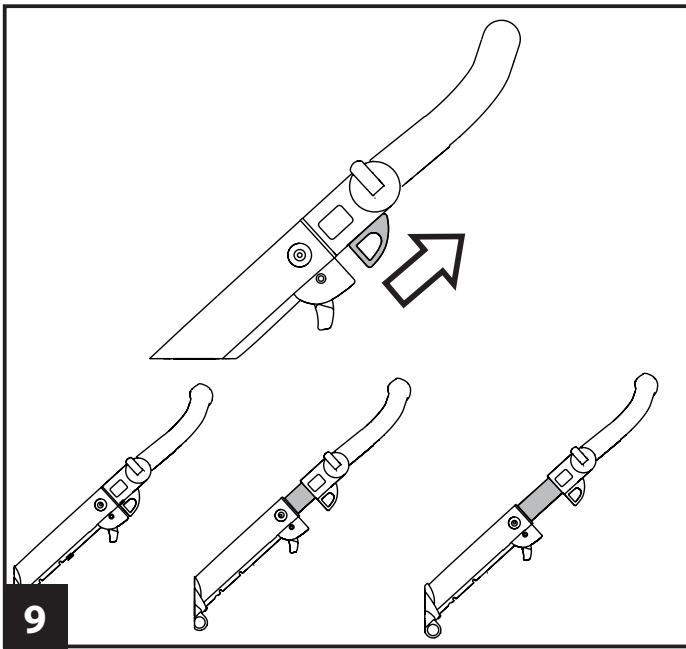
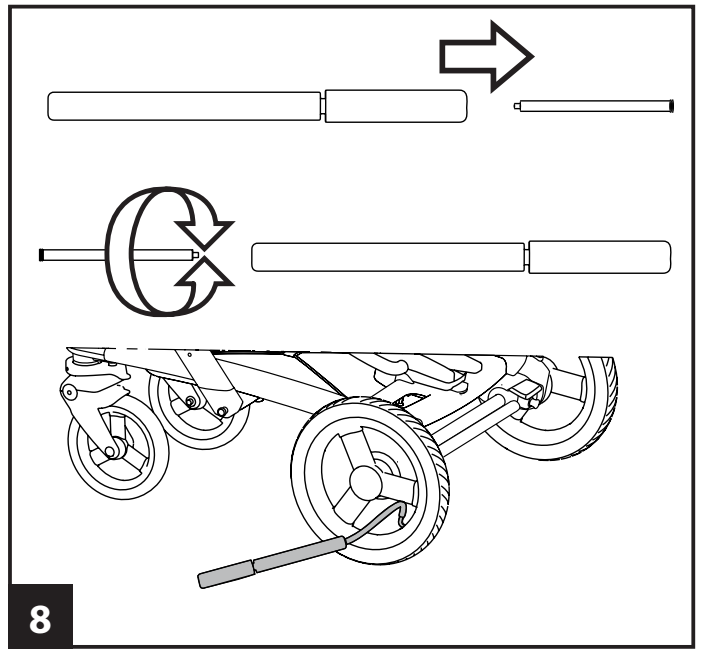
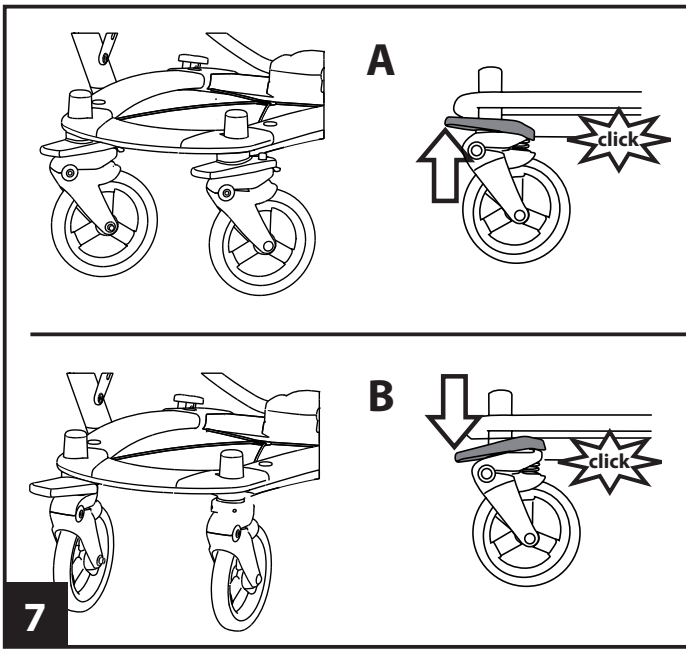
ES Instrucciones de uso

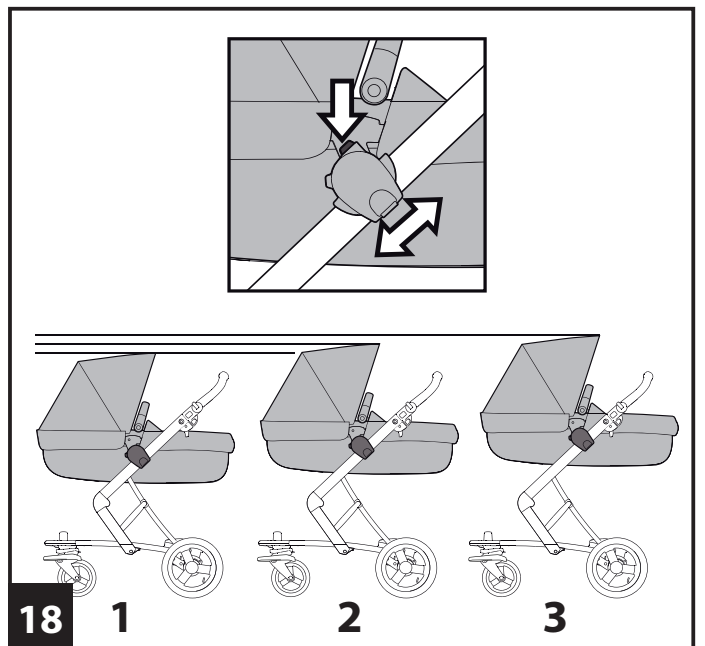
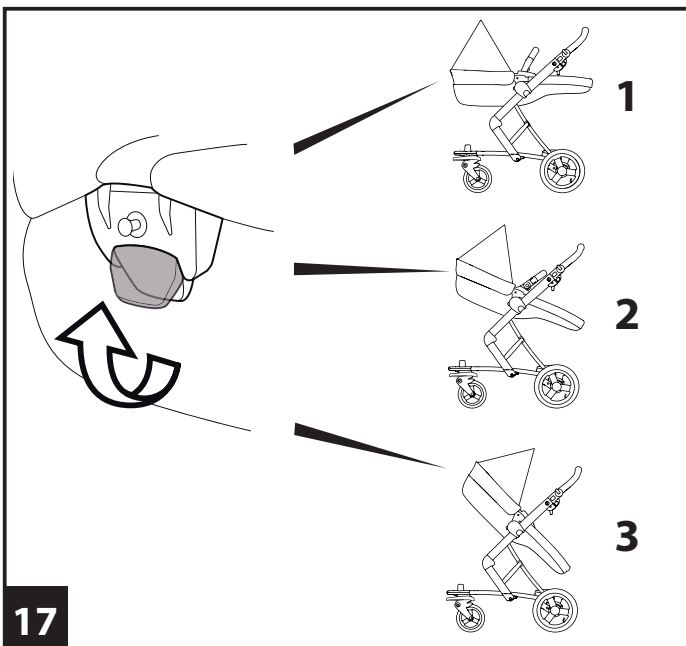
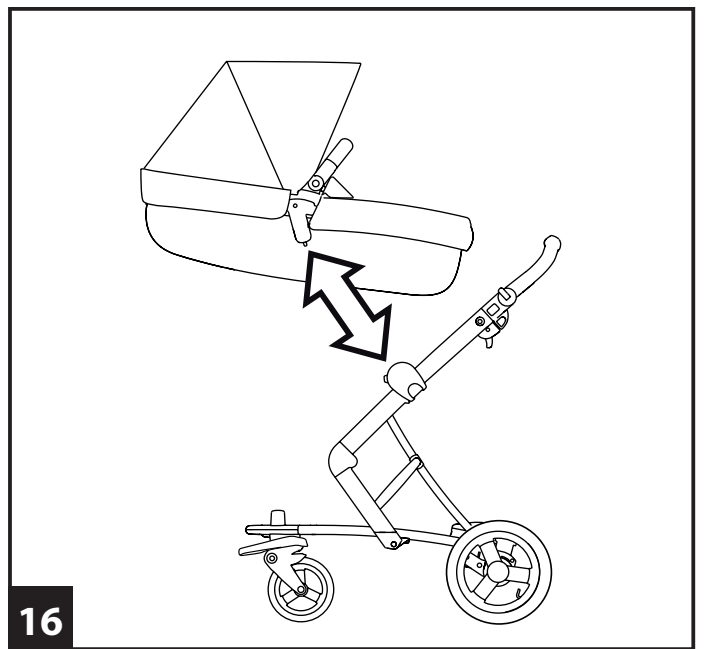
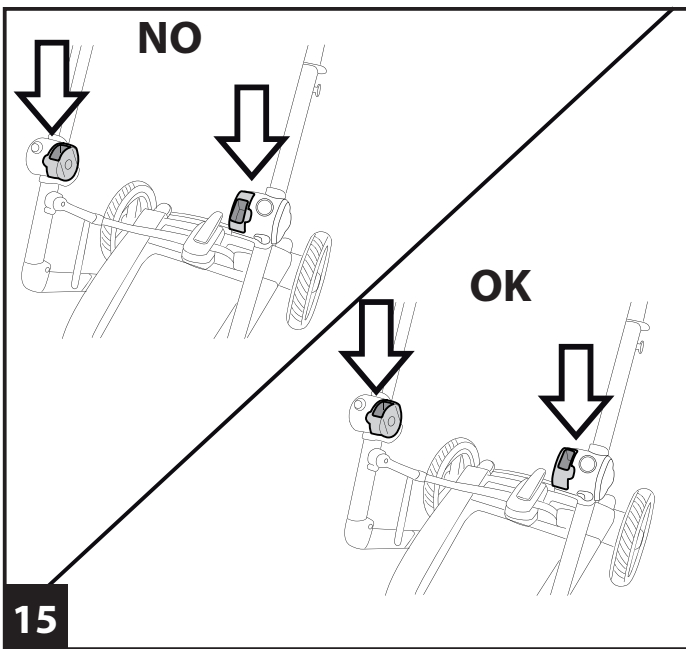
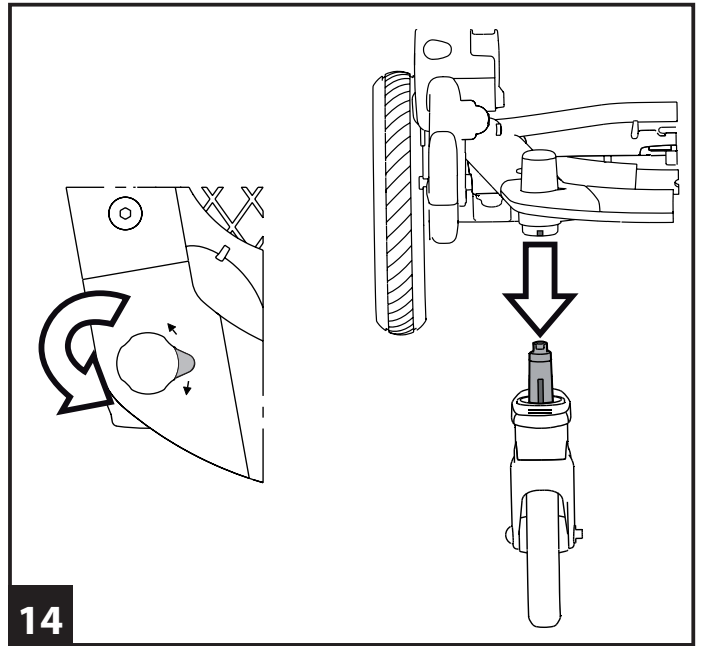
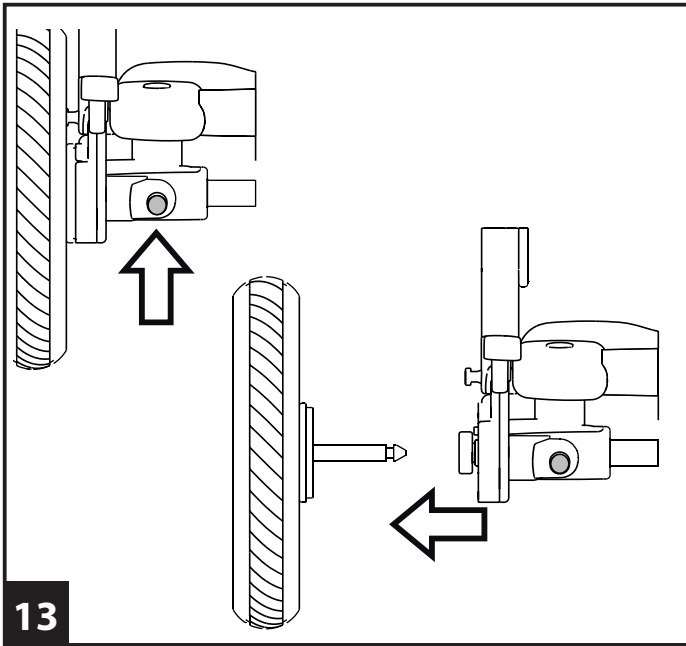
FR Notice d'emploi

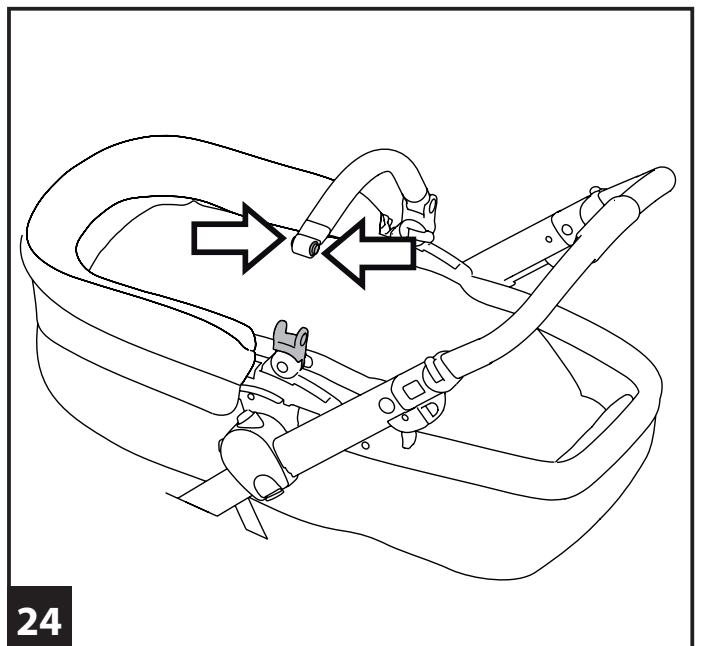
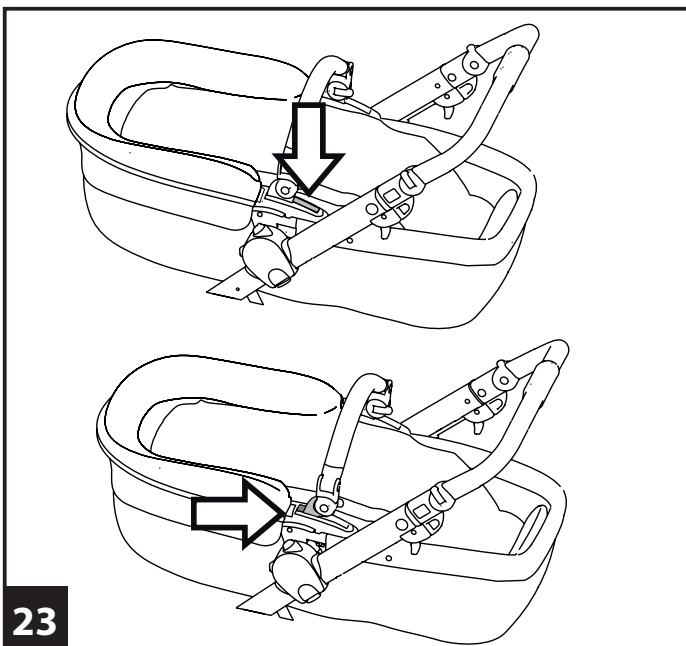
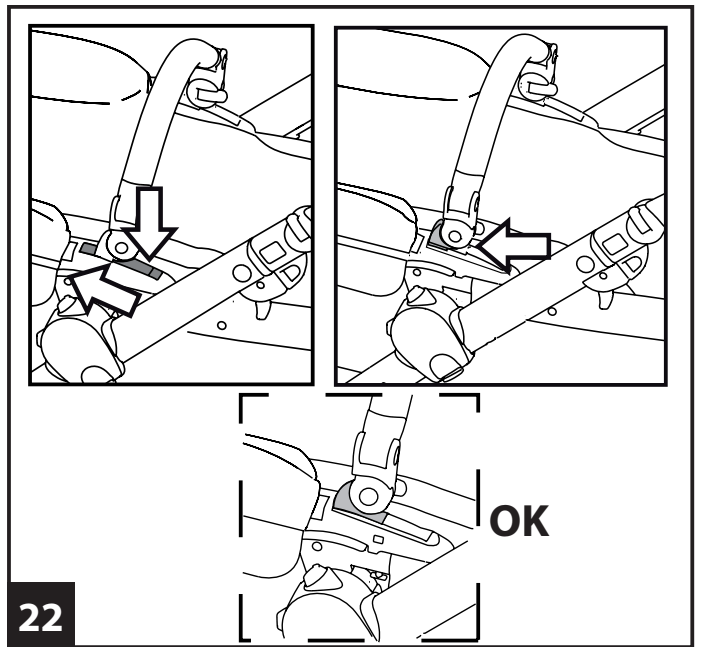
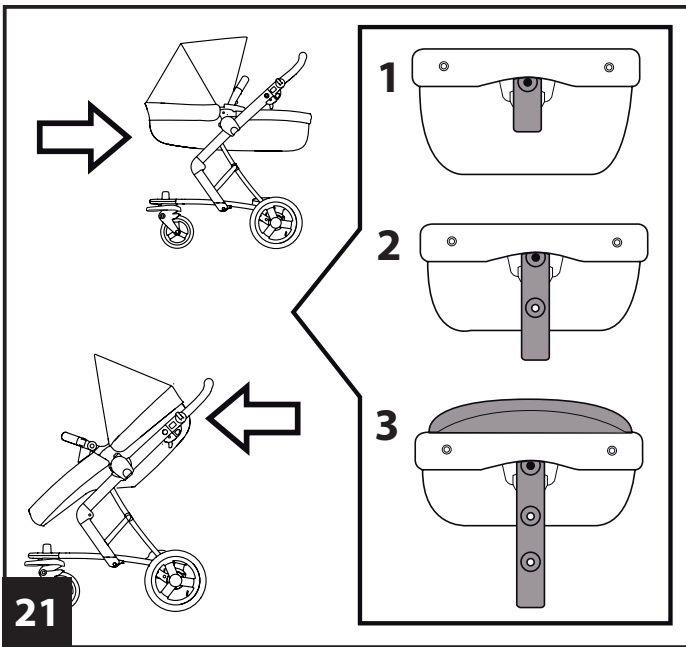
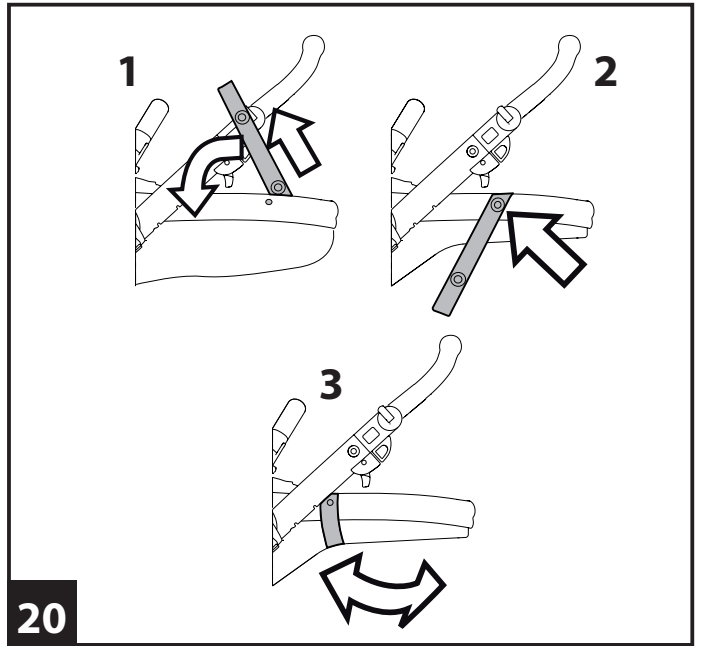
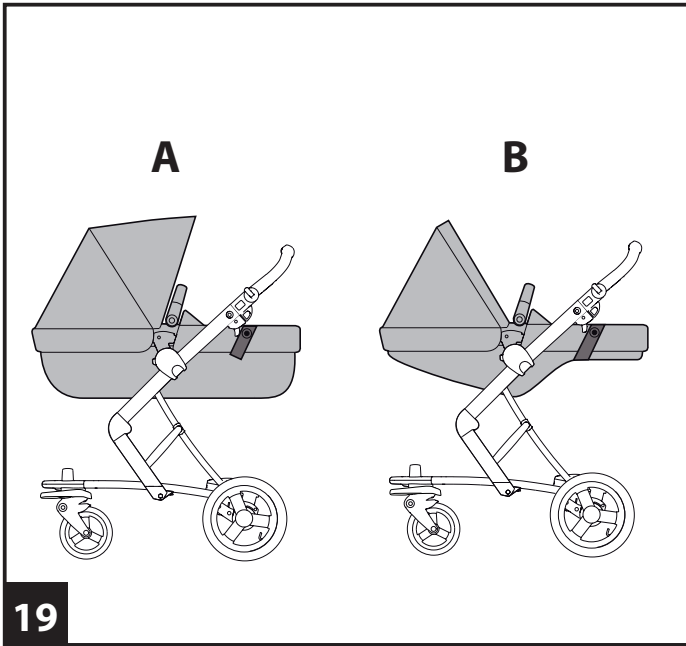
skate

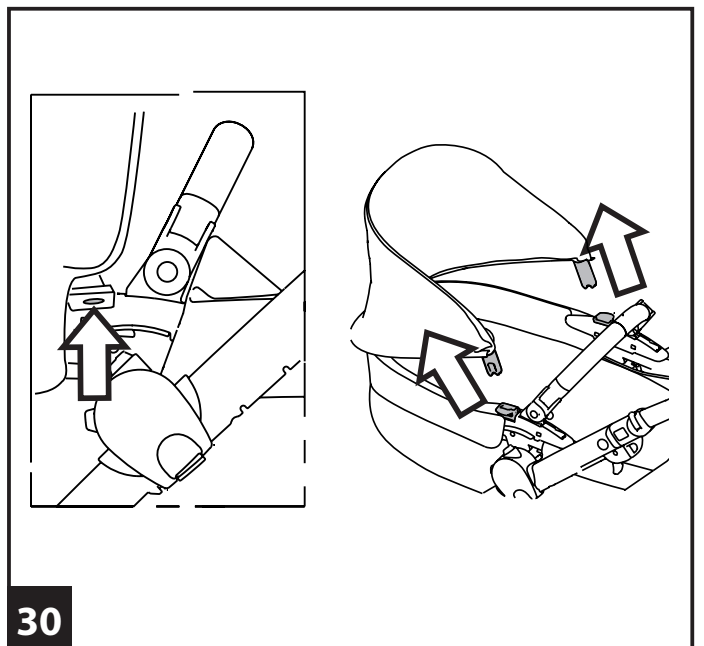
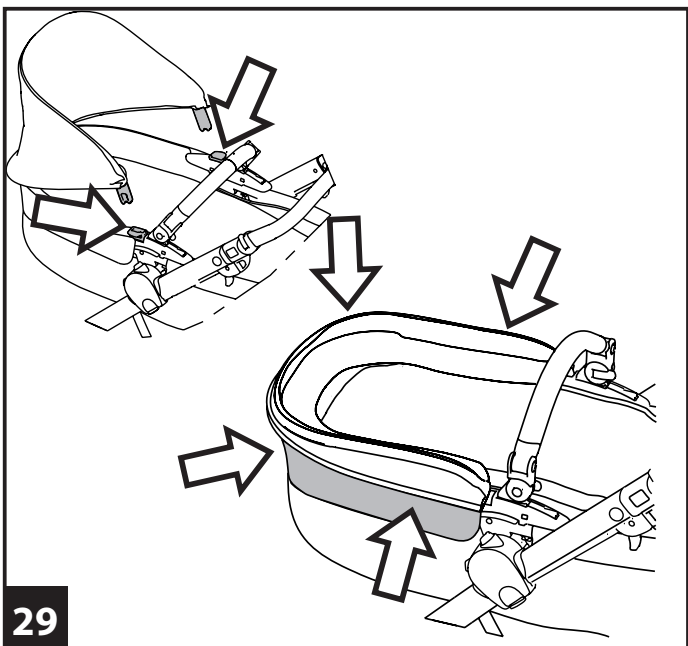
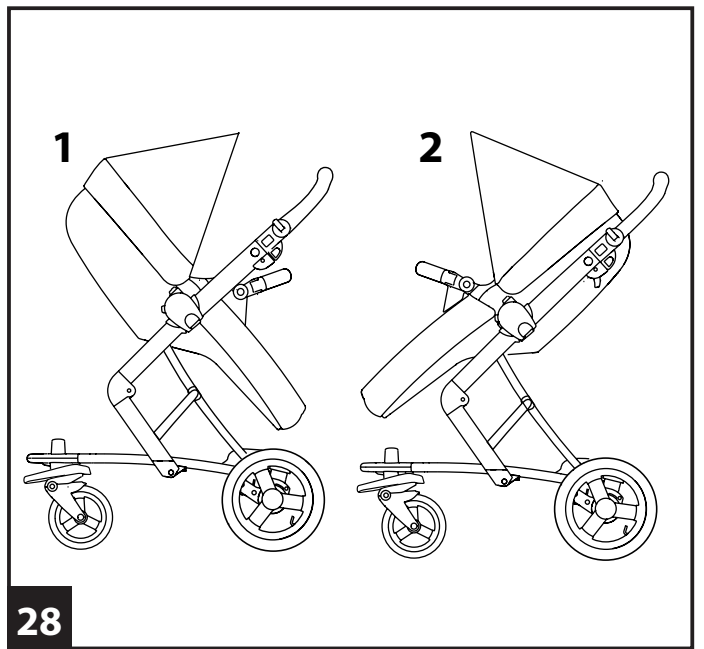
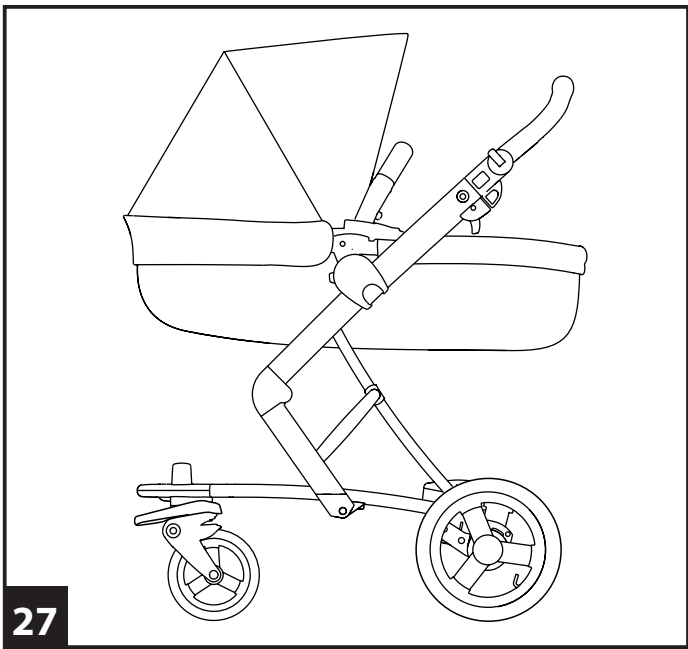
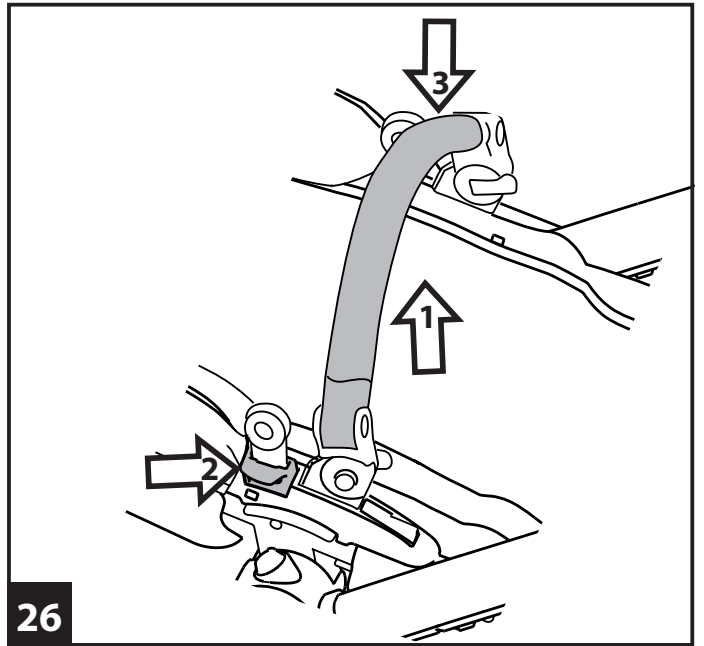
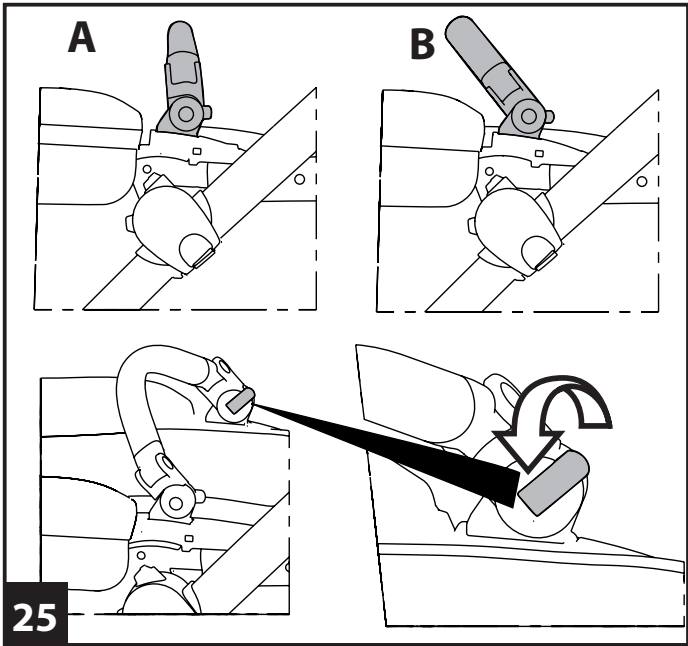
www.pegperego-skate.com

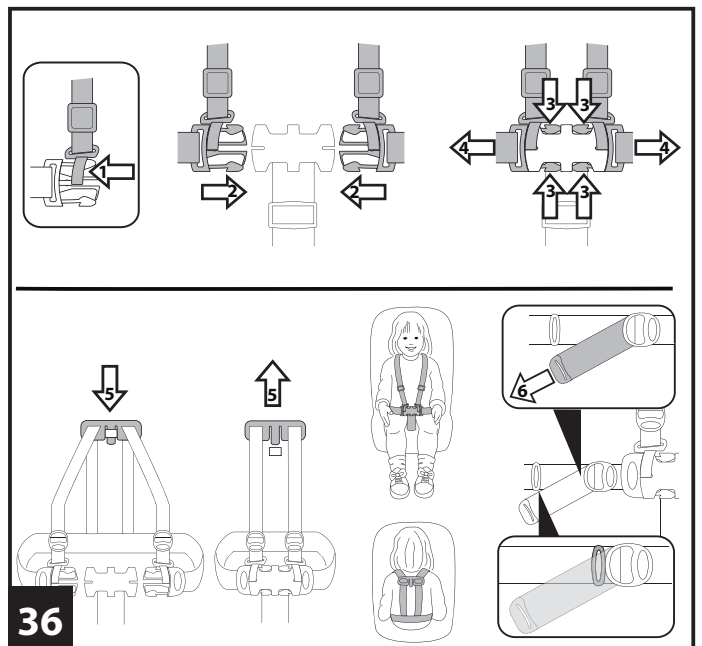
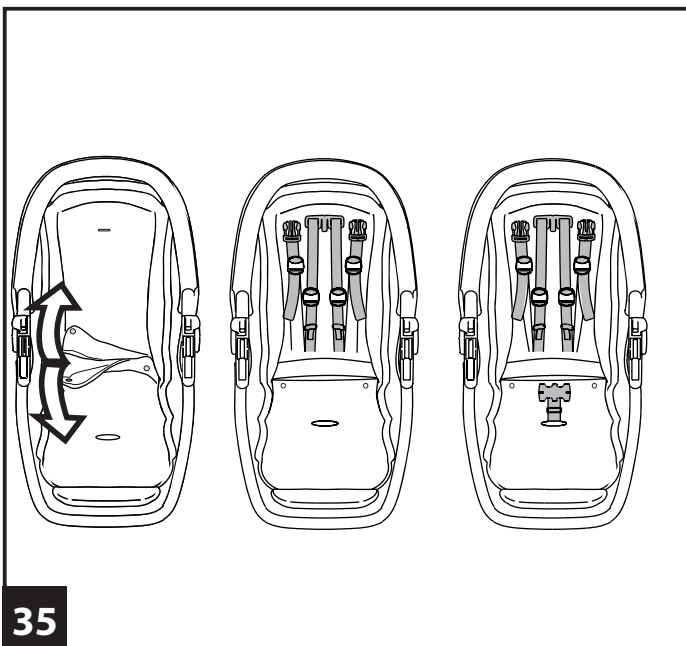
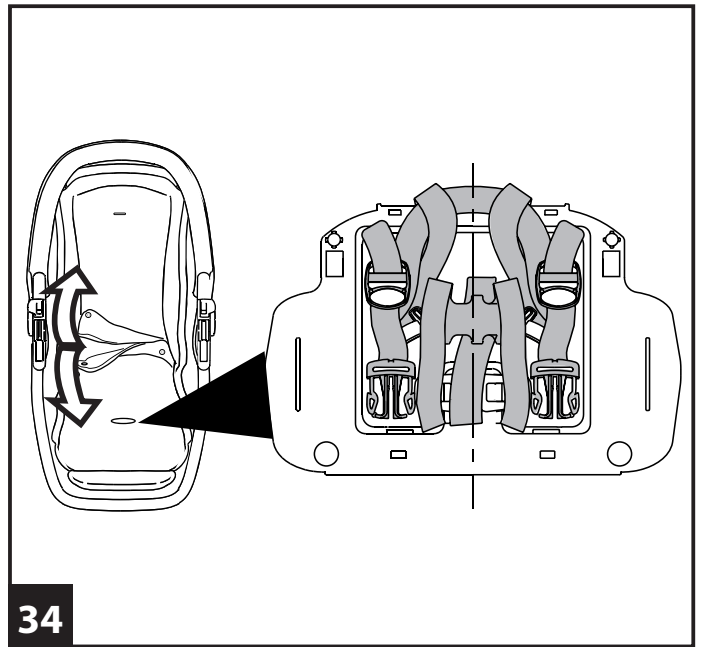
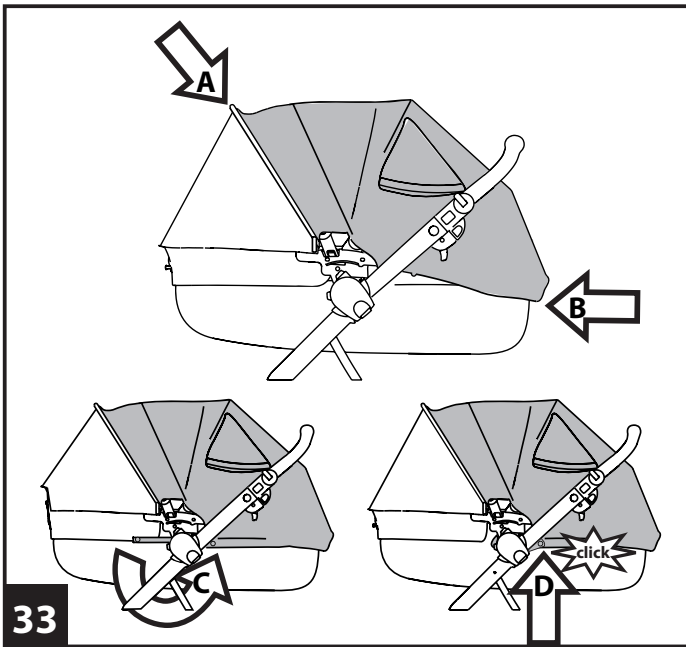
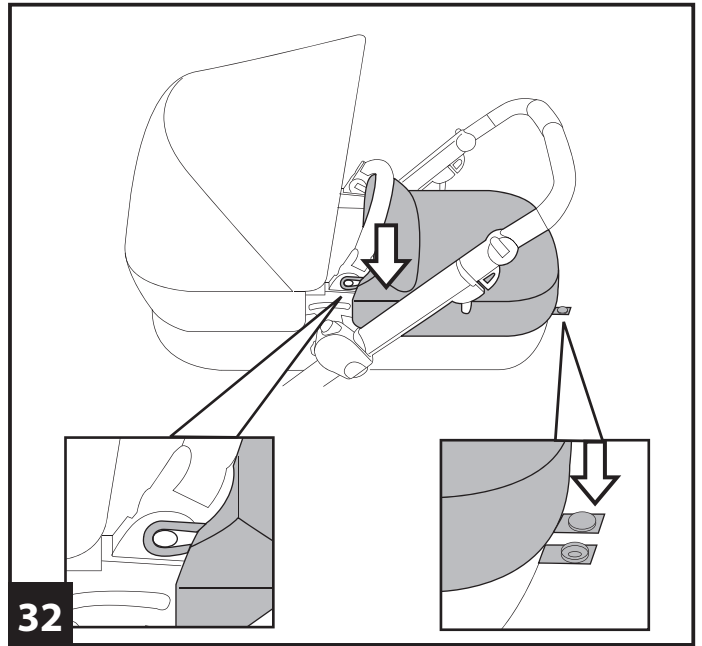
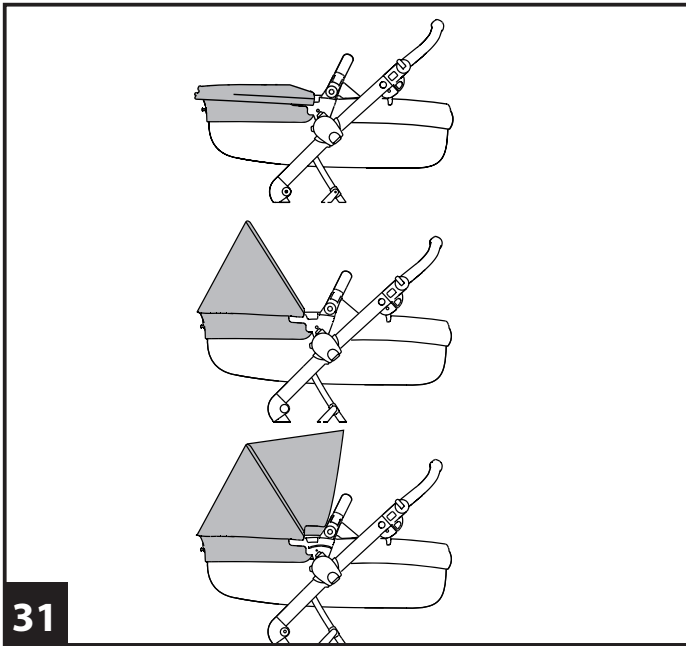


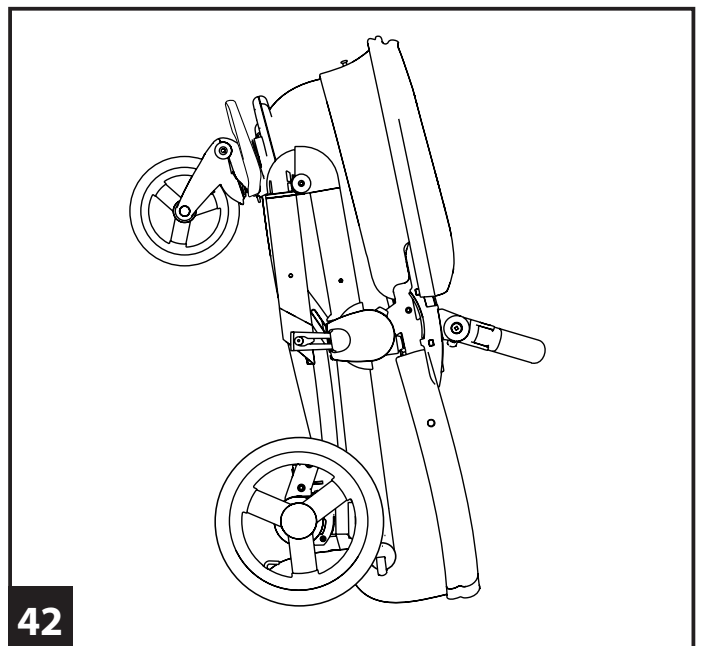
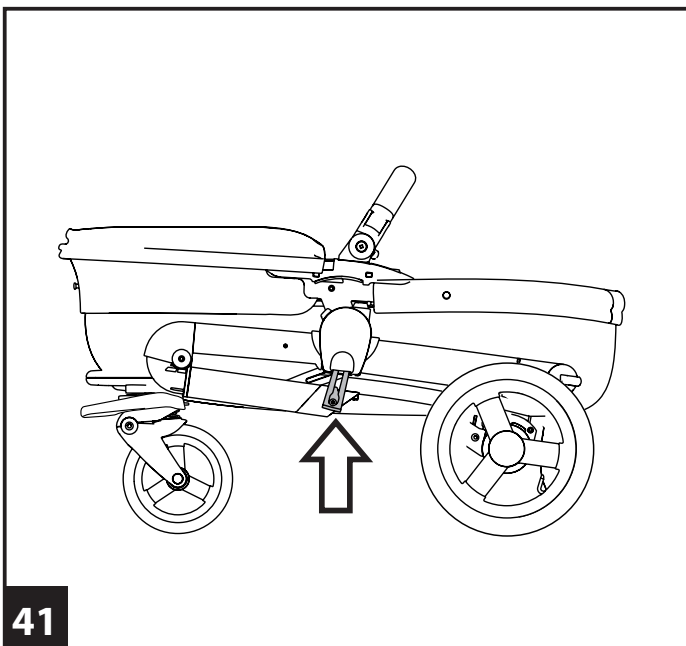
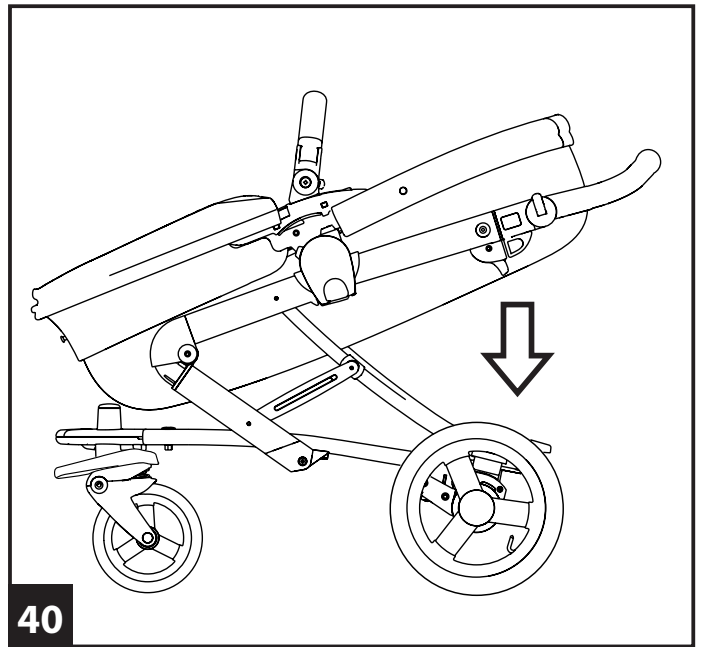
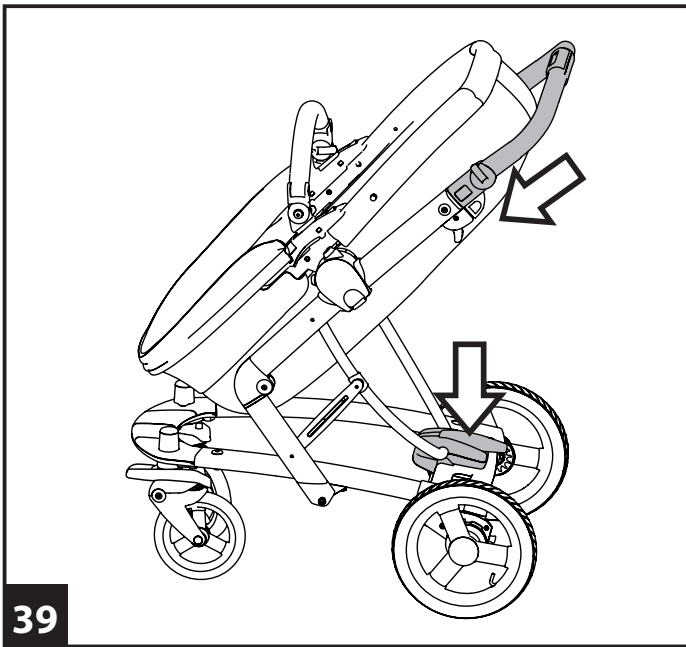
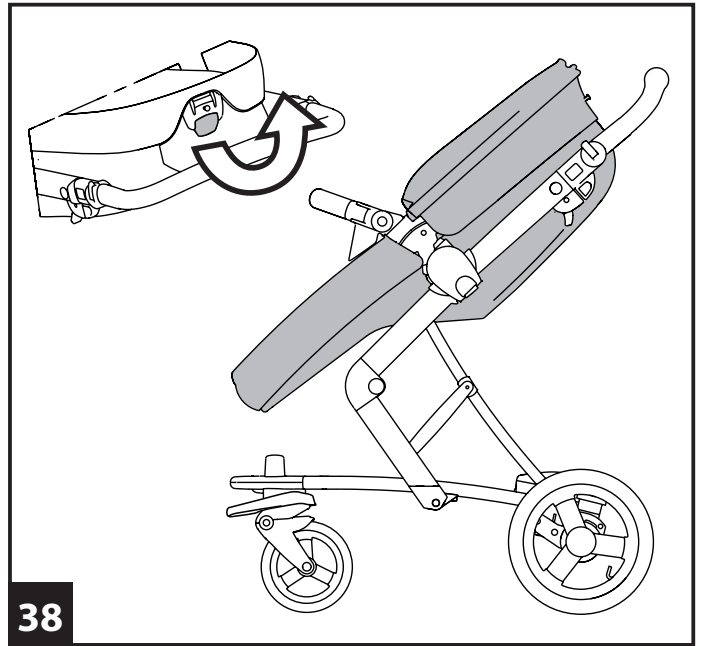
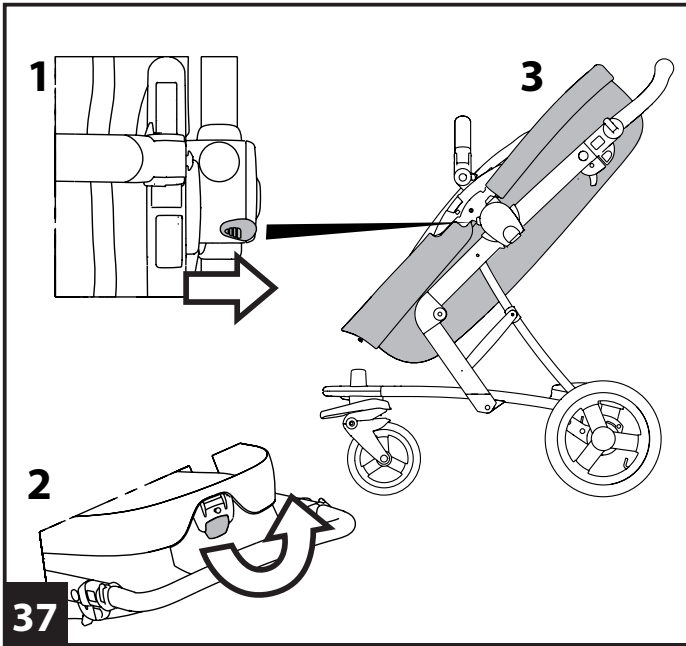


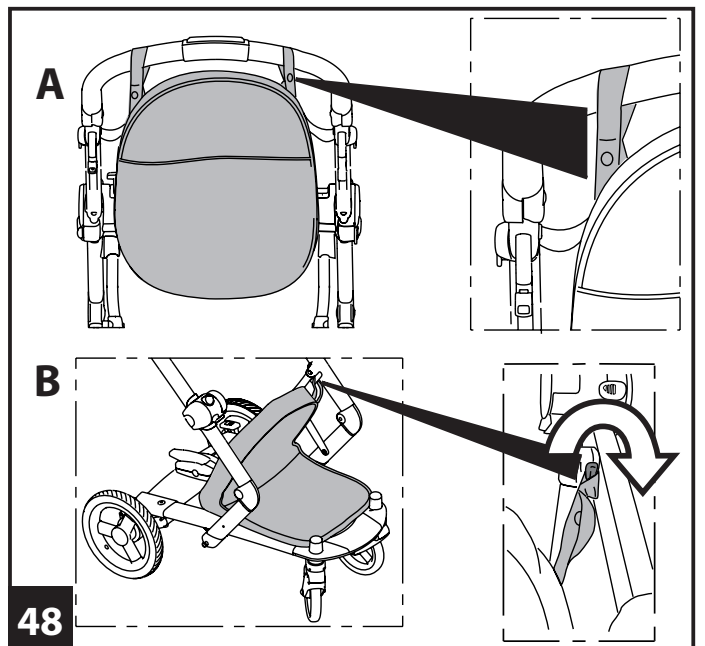
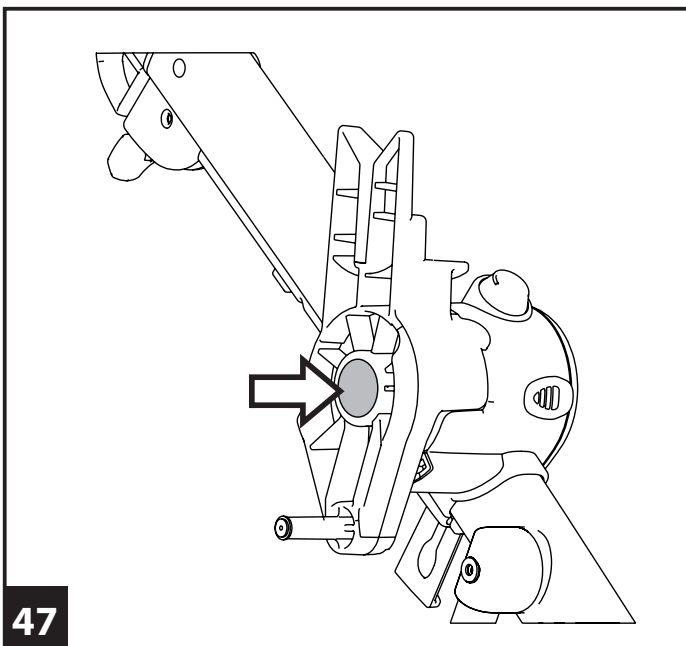
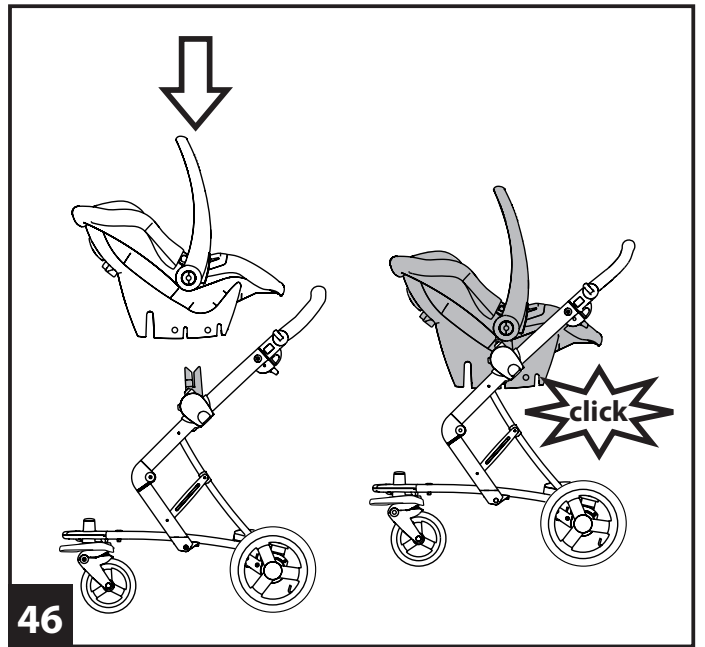
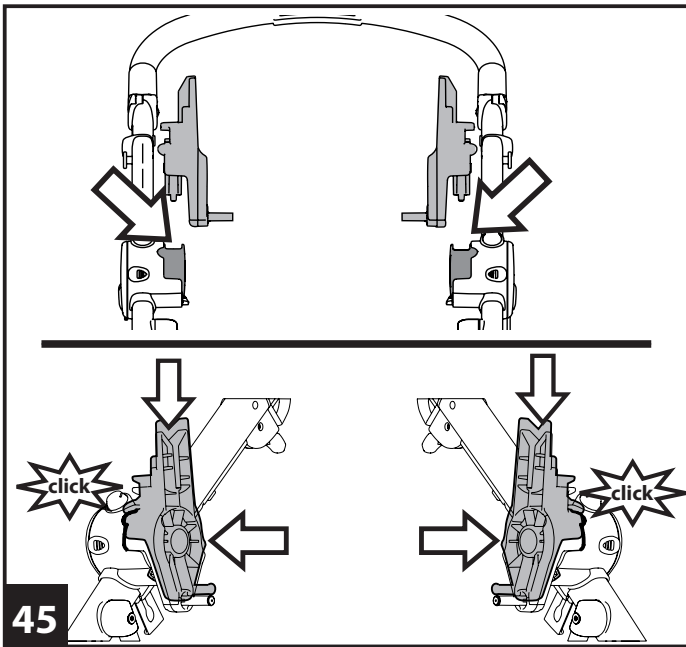
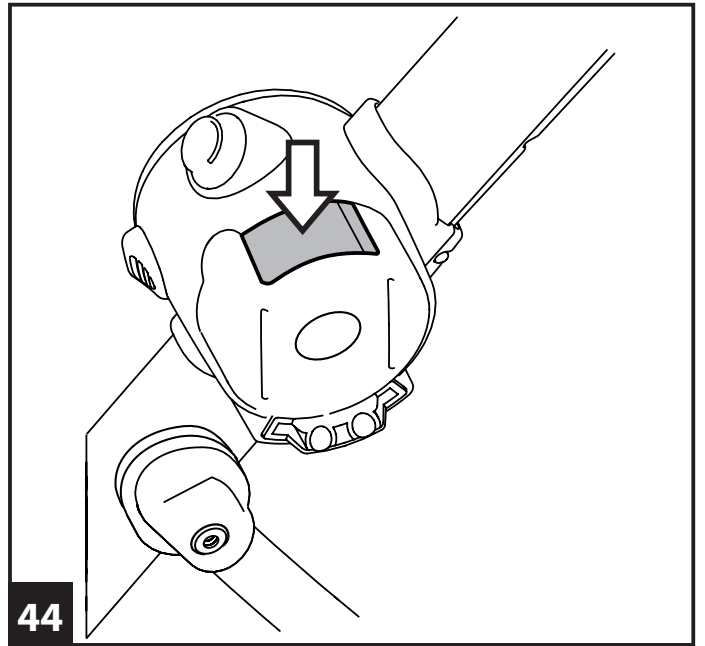
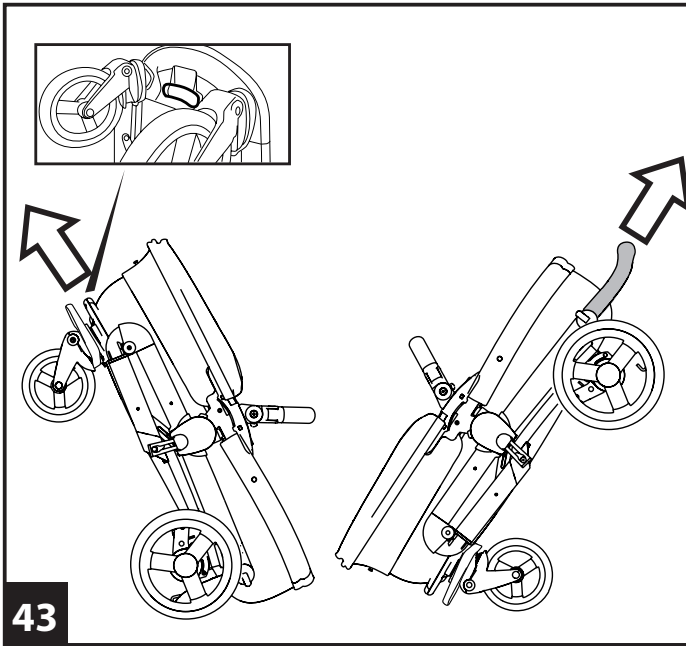


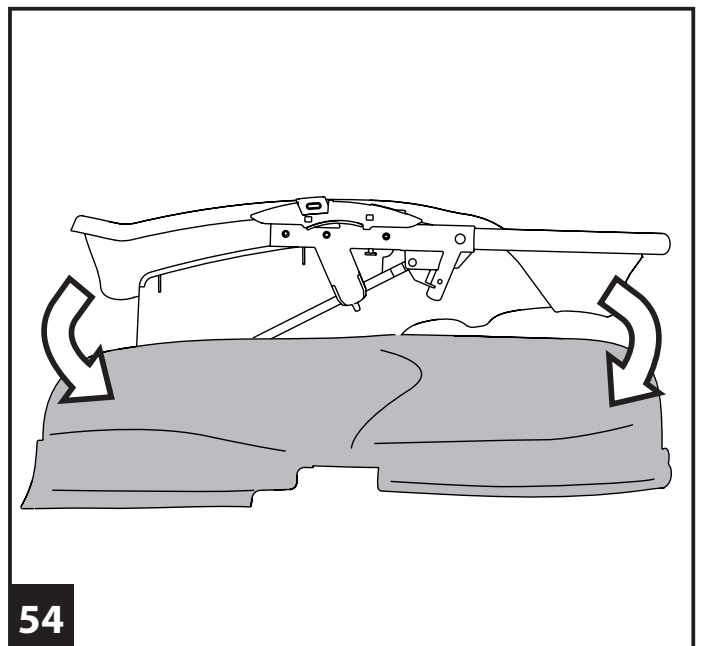
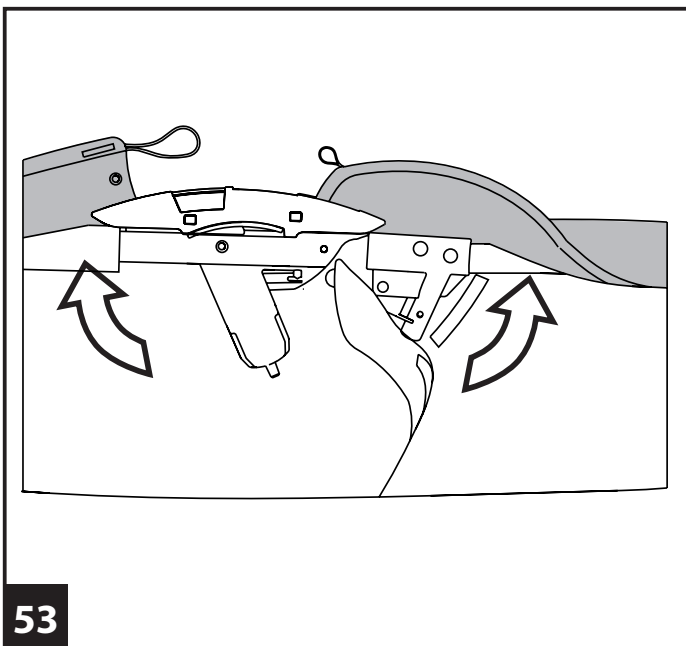
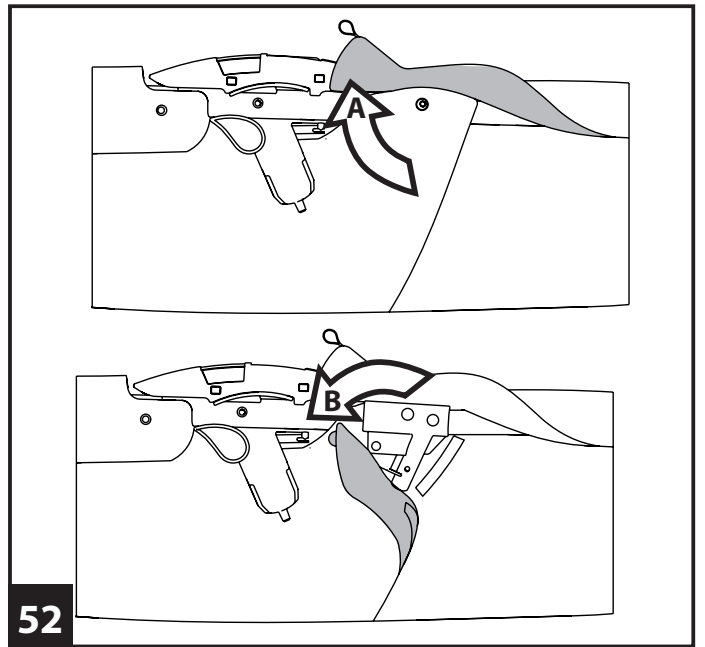
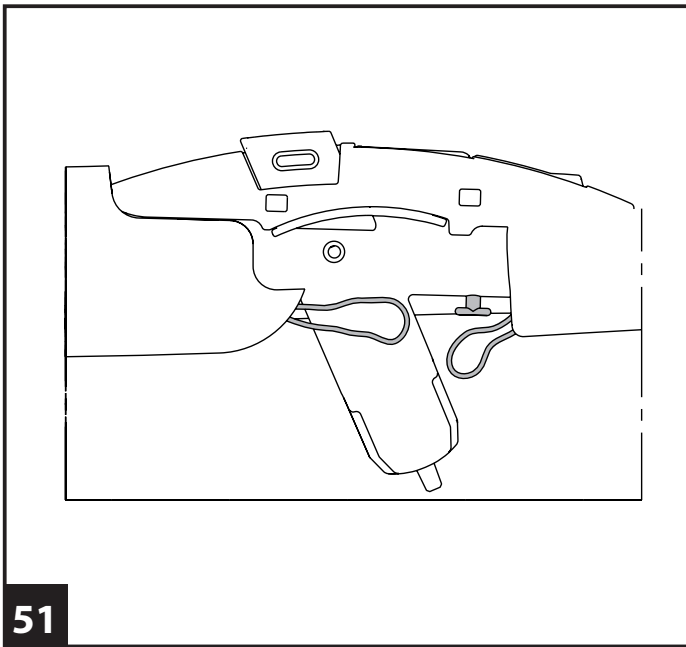
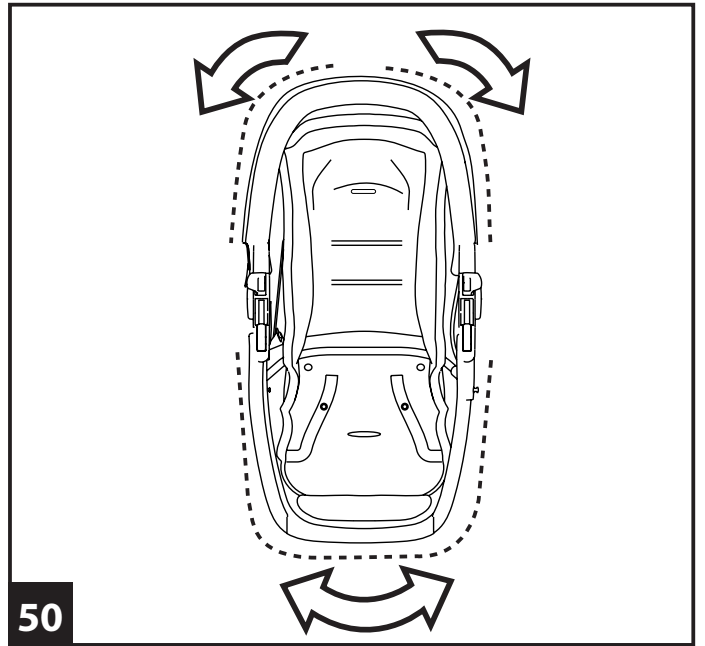
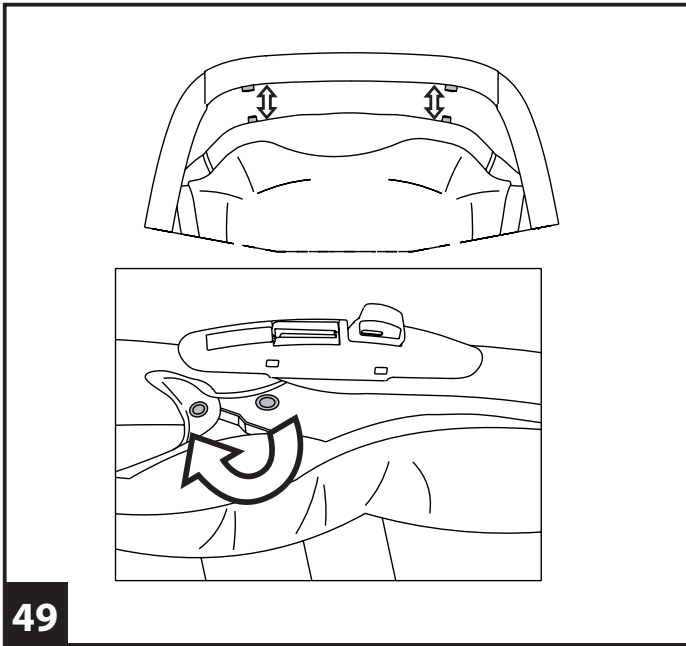


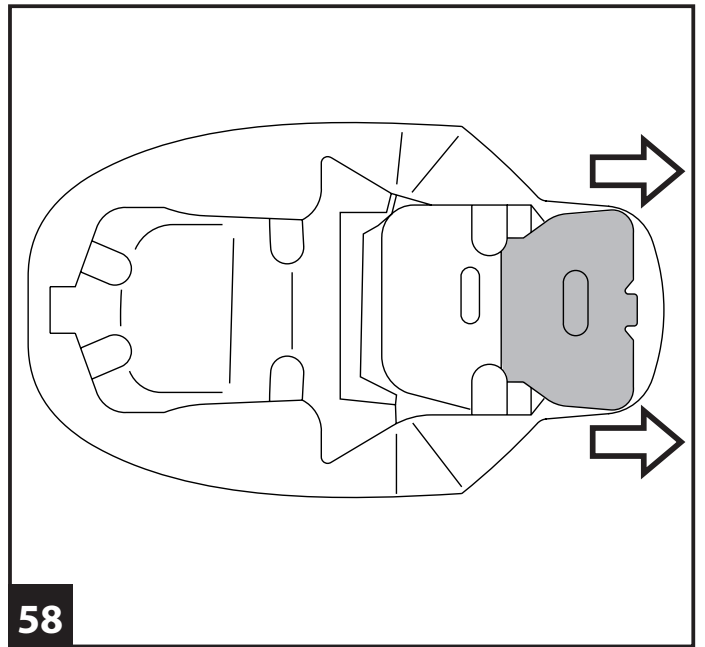
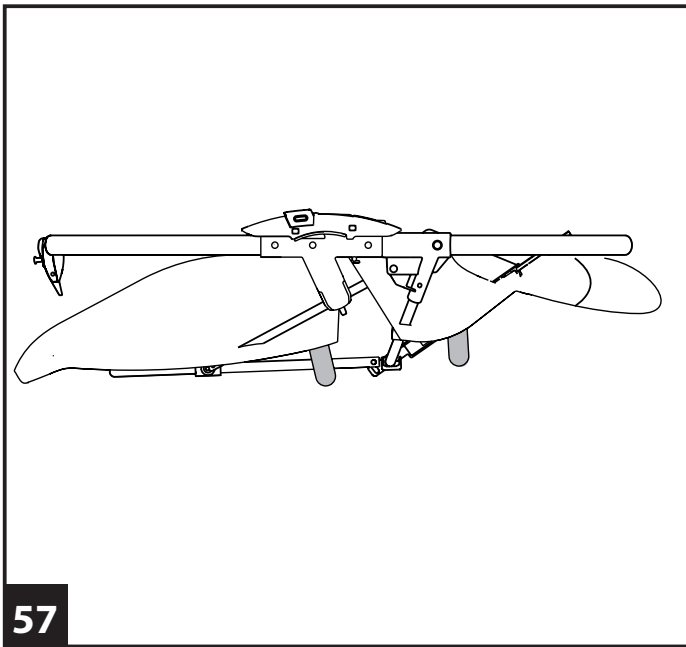
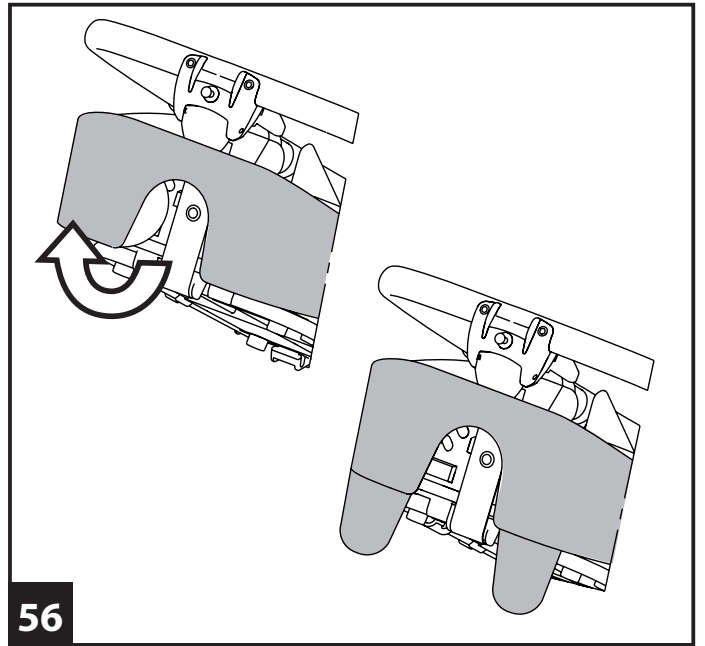
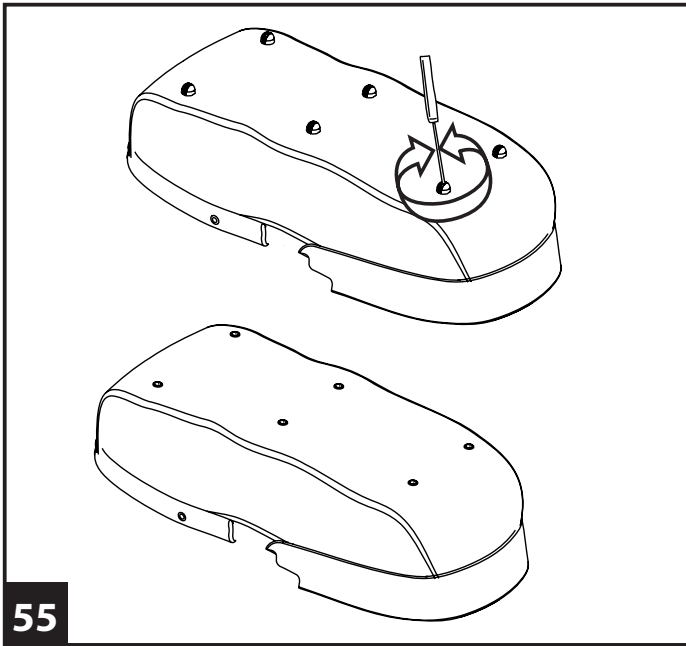




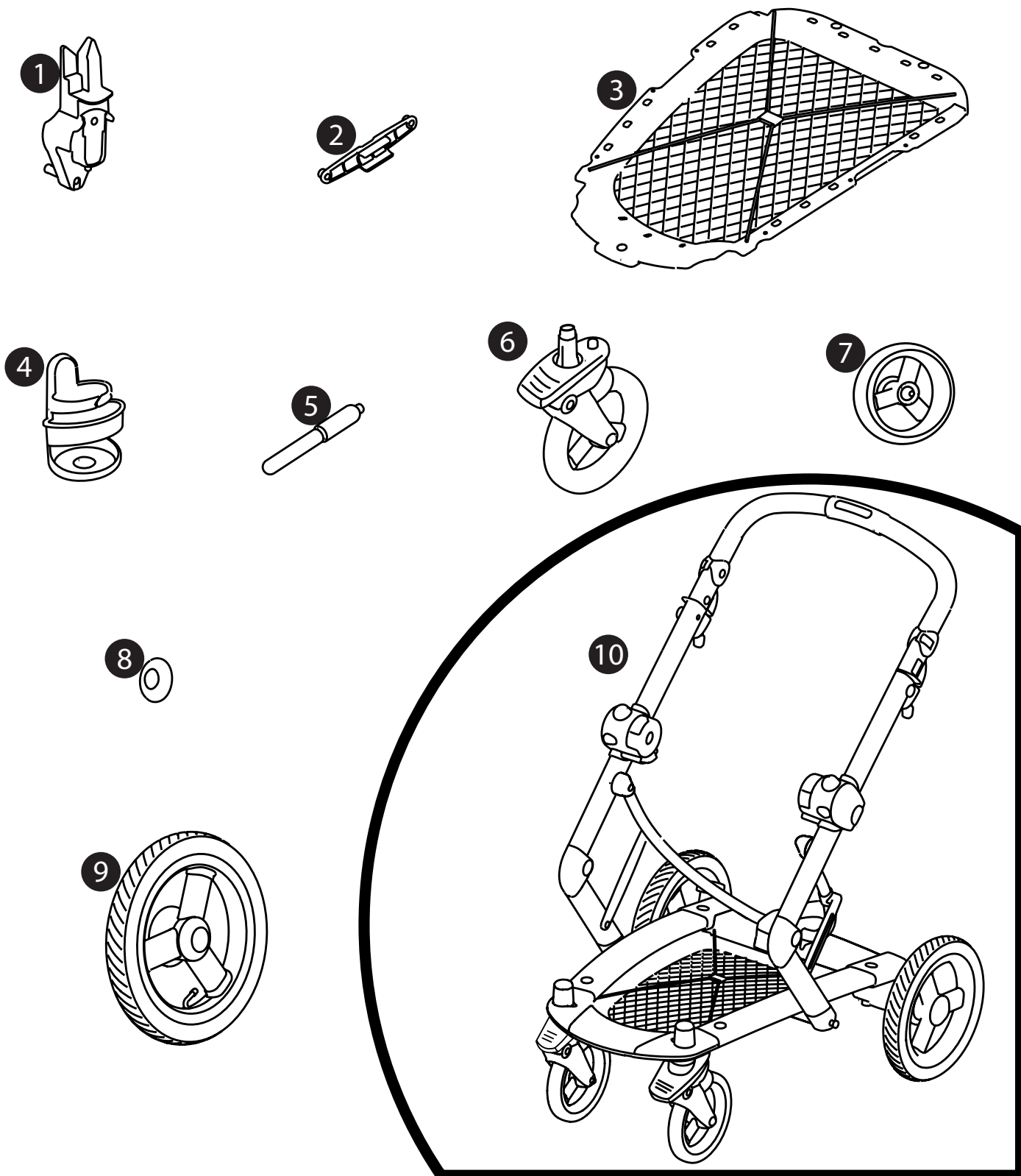








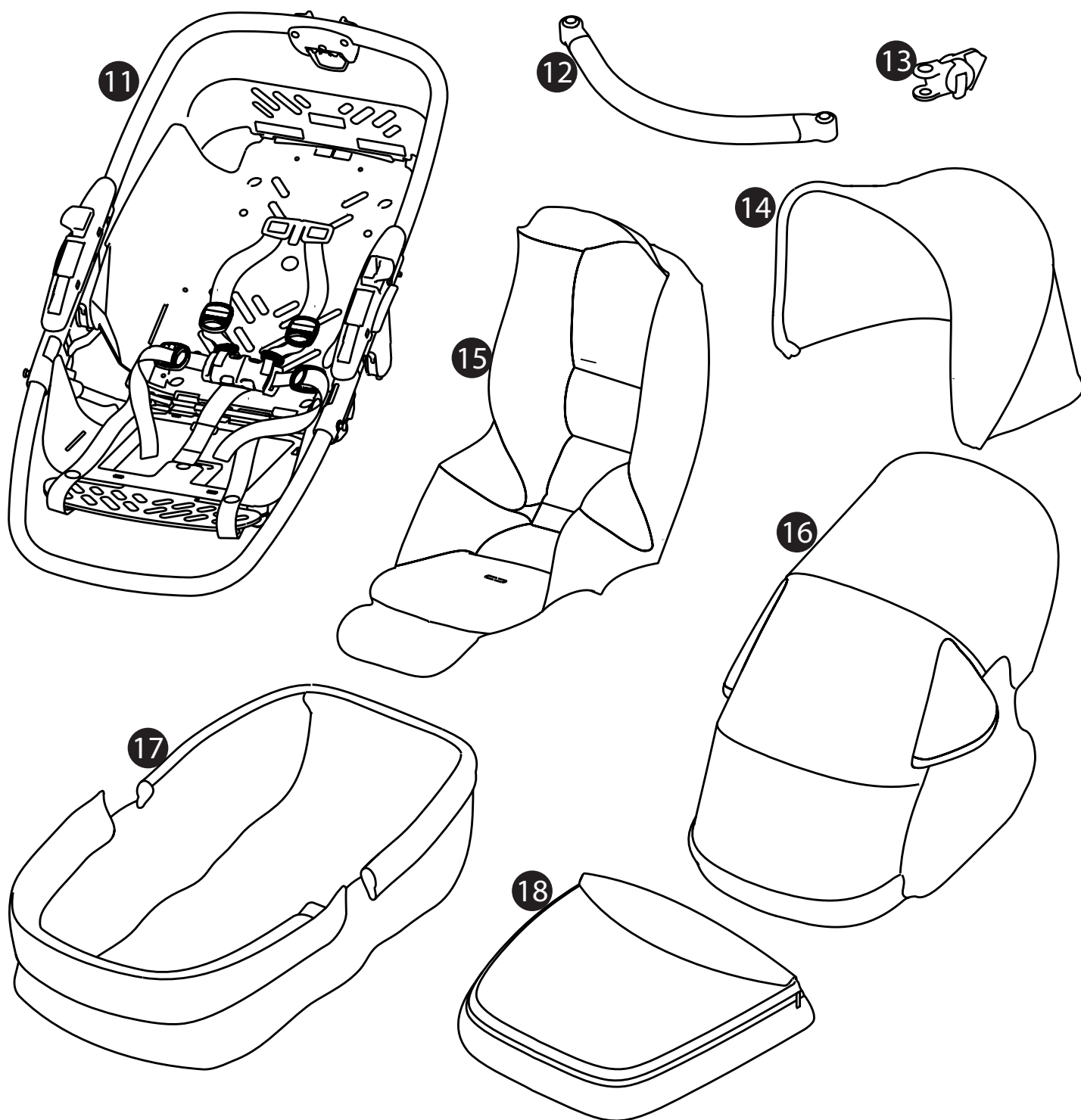
Skate



1d) SAPI6332DNGR
 1sx) SAPI6332SNGR
 2) SPST6294N
 3) SAPI6435N
 4) SAPI6468NGR
 5) MMMV0010
 6) SAPI6255KGRN
 7) ASPI0089L65N
 8) SPST6232N
 9) SAPI6232GRN

10) ITCSKANANL65
 11) ITSSKANANGRL31
 12) ARPI0452NGR
 13d) ARPI0451DNGR
 13sx) ARPI0451SNGR
 14) BCASKA•
 15) BSASKA•
 16) IRCOVE0008
 17) BNASKA•
 18) BCOSKA•

Skate



IT• Ricambi disponibili in più colori da specificare nella richiesta.

EN• Spare parts available in different colours to be specified when ordering.

FR• Pièces de rechange disponibles en plusieurs couleurs à spécifier dans la demande.

DE• Ersatzteile in mehr Farben vorhanden, die in der Anfrage spezifiziert werden müssen.

ES• Repuestos disponibles en otros colores que se especificarán en el pedido.

PT• Peças de reposição disponíveis em cores alternativas a serem especificadas no pedido.

NL• Reserveonderdelen verkrijgbaar in meerdere kleuren, bij bestelling te specificeren.

DK• Reservedele kan leveres i flere farver som bør specificeres ved bestillingen.

FI• Varaosia saatavana eri värisinä: ilmoita väri tilauksessa.

CZ• U náhradních dílů, které jsou k dispozici ve více barvách, je nutné na objednávce specifikovat příslušnou barvu.

SK• Pri náhradných dieloch, ktoré sú k dispozícii vo viacerých farbách, je potrebné pri objednávke špecifikovať želanú farbu.

HU• A tartalék alkatrészek különböző színekben elérhetőek, melyeket rendeléskor kell kiválasztani.

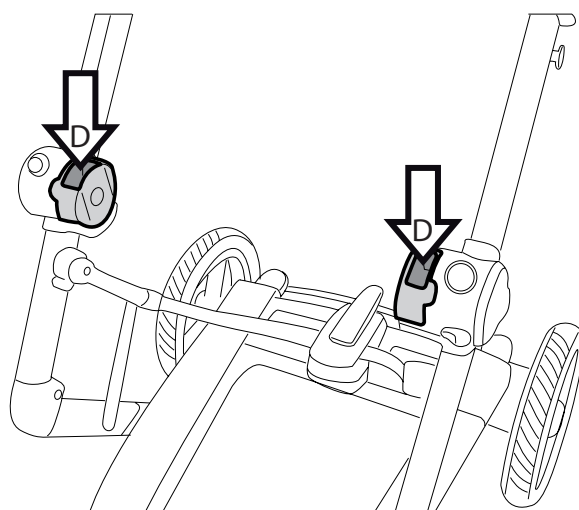
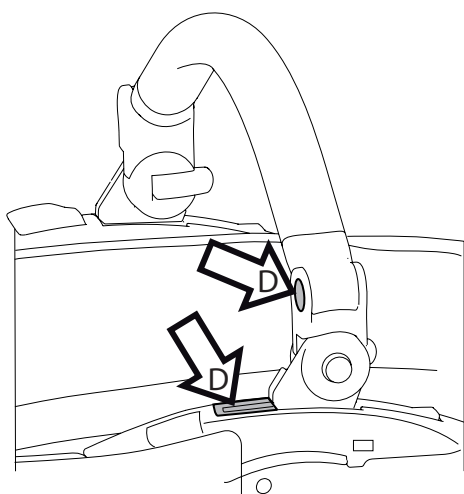
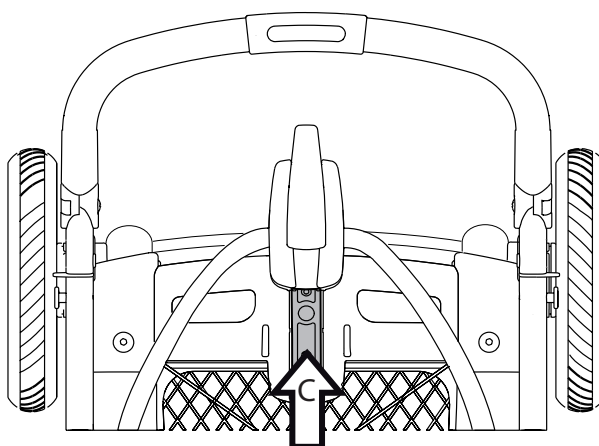
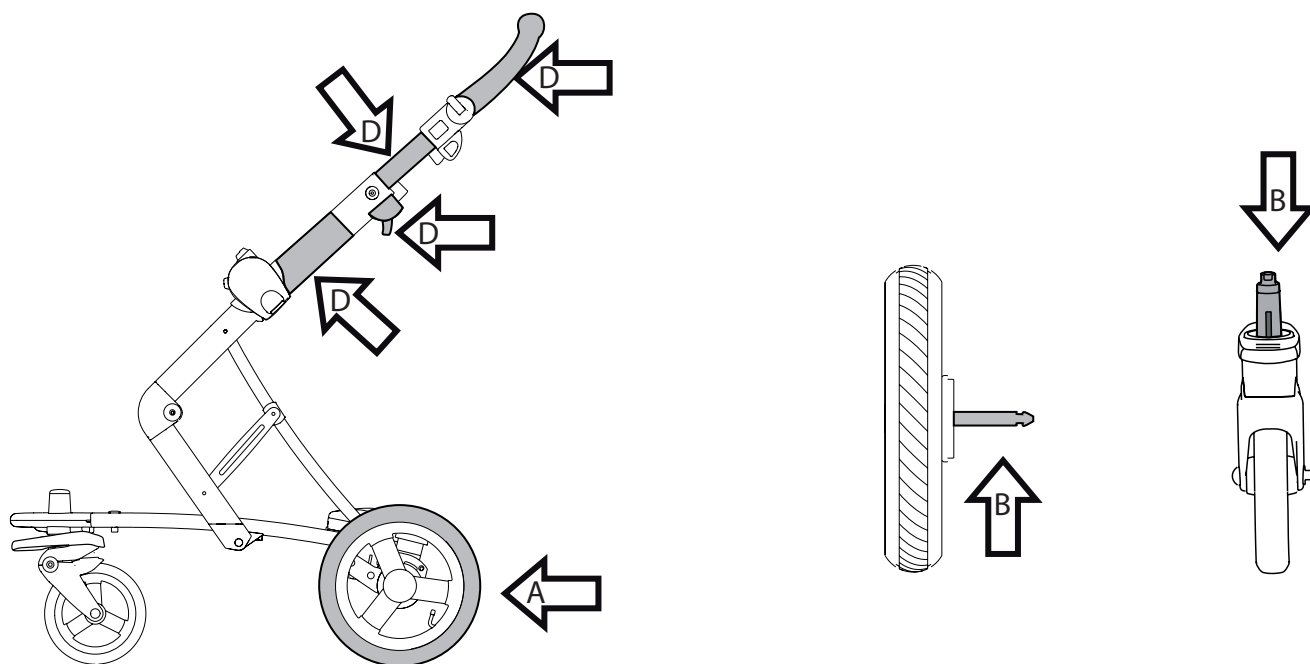
SL• Rezervni deli so na voljo v več barvah, ki jih je treba navesti pri naročilu.

RU• Запчасти имеются различных цветов, необходимый указать в запросе.

TR• Siparişte belirtilen değişik renklerdeki yedek parçaları mevcuttur.

EL• Ανταλλακτικά διαθέσιμα σε διάφορα χρώματα. Προσδιορίστε όταν παραγγείλετε.

Skate



Thank you for choosing a Peg-Pérego product.

product features

- This product is numbered progressively.
- Skate is a 2-function product as the Skate-seat converts from a carriage to a stroller.
- Skate is composed of two parts: Skate CHASSIS and Skate-SEAT.

Skate CARRIAGE SEAT

- must be fixed to the Skate chassis to face parents
- must be kept in the horizontal position
- legrest and backrest must be kept down
- must be equipped with a hood with open zipper and a hood with closed zipper.
- can be used without the Skate chassis and can be carried by the handlebar.

Skate STROLLER SEAT

- can be fixed to the Skate chassis so the child can face parents or see what's ahead
- can be reclined to three different positions
- legrest must be up
- must be equipped with a hood with open zipper and a hood with closed zipper
- cannot be used without the Skate chassis.

⚠WARNING

- **CAREFULLY READ INSTRUCTIONS AND KEEP FOR FUTURE USE. THE CHILD'S SAFETY COULD BE PUT AT RISK IF THE INSTRUCTIONS ARE NOT FOLLOWED.**

- THIS PRODUCT IS DESIGNED FOR A CHILD WHOSE MAXIMUM WEIGHT IS 45 POUNDS (20 KG) AND WHOSE MAXIMUM HEIGHT IS 43 INCHES (110 CM). THIS SHOPPER BASKET IS DESIGNED TO CARRY A MAXIMUM WEIGHT OF 11 POUNDS (5 KG). ANY CUPHOLDER EVENTUALLY PROVIDED WITH THIS UNIT IS DESIGNED TO CARRY A MAXIMUM WEIGHT SPECIFIED ON THE CUPHOLDER ITSELF. ANY POACH OR POCKET PROVIDED WITH THIS UNIT IS DESIGNED TO CARRY A MAXIMUM WEIGHT OF 0.44 POUNDS (0.2 KG).
- FAILURE TO FOLLOW MANUFACTURER'S SPECIFICATIONS OR USE OF

ACCESSORIES OTHER THAN THOSE APPROVED BY THE MANUFACTURER MAY CAUSE THE UNIT TO BECOME UNSTABLE.

- AVOID SERIOUS INJURY FROM FALLING OR SLIDING OUT. ALWAYS USE COMPLETE 5 POINT SEAT BELT.
- NEVER LEAVE YOUR CHILD UNATTENDED.
- ALWAYS USE ALL THE BRAKES WHEN EVER PARKED.
- TO AVOID SERIOUS INJURY, WHEN MAKING ADJUSTMENTS ENSURE THE CHILD'S BODY IS CLEAR OF ALL MOVING PARTS.
- ALL OPERATING AND ASSEMBLY PROCEDURES SHOULD BE PERFORMED BY AN ADULT.
- DO NOT LIFT THE STROLLER BY GRIPPING THE FRONT BAR. THE FRONT BAR IS NOT DESIGNED TO WITH STAND LOADS.
- ENSURE THAT THE STROLLER IS OPENED CORRECTLY AND LOCKED IN POSITION OF USE.
- CHECK TO MAKE SURE THAT THE CAR SEAT OR THE BABY CARRIAGE IS CORRECTLY FASTENED TO THE STROLLER (WHERE APPLICABLE).
- DO NOT DRIVE THIS PRODUCT AROUND STAIRS OR STEPS; CARE MUST BE TAKEN IF UNIT IS USED ON STAIRS OR ESCALATORS.
- DO NOT USE THE PRODUCT IF IT HAS BROKEN OR MISSING PARTS.
- DO NOT USE NEAR FIRE OR EXPOSED FLAME.
- WHEN USING THE PRODUCT AS A CARRIAGE, PLEASE TUCK THE SEAT BELTS/SAFETY HARNESS UNDER THE UPHOLSTERY TO AVOID POSSIBLE ENTANGLEMENT.
- NOTICE: THIS ARTICLE MEETS OR EXCEEDS ALL REQUIREMENTS COVERED IN ASTM F833 STANDARD AND LATEST REVISIONS.

product parts

- Check the package contents and contact our Customer Service for any claim.
- Skate chassis with basket and pump
- 4 wheels with shock absorbers and ball bearings (2 front lockable swivel wheels - 2 rear wheels with air chamber)
- Bottle holder

- Skate-seat
- Bumper bar
- Hood and cover
- Rain cover
- Standard adapter set for car seat group 0+ "Primo Viaggio SIP" or "Primo Viaggio tri-fix" Peg Perego.

instructions for use

MOUNTING THE WHEELS

1. Remove the protection caps from the rear wheels. To mount the rear wheels, insert the pins into their housings until they click into place.
 2. Before fitting the front wheels, make sure that the indicators on the fastening controls are red. Insert the pins of the wheels in the appropriate housing, making sure that the green lines of the wheels match up with the green lines of the housing. Finally, turn the fastening controls until the indicators are green.
- **IMPORTANT: Check that the wheels are secured by pulling them.**

OPENING the Skate chassis

3. To open the Skate chassis remove the locking levers (fig. A) from the side pins and push them up until they go back in.
4. If it is in the closed position (fig. A), rotate the handlebar by one position (fig. B, open the two levers outwards, position the handlebar and close the two levers again) to avoid contact with the centralized locking pedal (fig. C).
5. Hold the Skate chassis down with a foot and raise the handlebar until it clicks into place. Check that the chassis is open properly by making sure that the front of the centralized locking pedal is not red. (If the red part is visible, continue to pull up the handlebar until you hear it click and the red is no longer visible on the centralized locking pedal. The Skate chassis can also be opened when the Skate-seat is attached; after opening the Skate chassis, recline the Skate-seat as needed (see reclining the Skate seat section). **IMPORTANT: Sit the child in the Skate-seat only after opening the Skate chassis.**

CENTRALIZED BRAKE

6. To apply the brakes, push down with one foot the bars on the rear wheels, as shown in the figure. To release the brakes, draw the bar up.

FRONT SWIVEL WHEELS

7. To set the front wheels to swivel, lift the stopper up, as in figure A. To set the wheels in a fixed position, push the stopper down, as in figure B. When they are turned around, the wheels automatically fix into place.

REAR INFLATABLE WHEELS

8. A pump is attached to the bottom of the frame in the rear of the stroller to inflate the rear wheels. Pull out the cord from the top of the pump and screw it in the figure. Unscrew the wheel valve

cap and screw the cord of the pump.

- **Before using the stroller for the first time you are advised to inflate the tires to a pressure of 25 psi/1.7 bar.**
- **IMPORTANT: Do not inflate the wheels too much; max pressure is stated on the wheel.**

HANDLEBAR

- The handlebar of the Skate chassis is telescopic and the handle grip is height adjustable to 3 positions.
9. To extend the handlebar, pull up the two handlebar extender hooks simultaneously and place the handlebar at the height you want it.
 10. To adjust in height the handle grip, open the two levers outwards, place the handle grip in the position you want and lock the two levers again.

BOTTLE HOLDER

11. The bottle holder can be attached to both sides of the Skate chassis, To attach it, insert the back of the bottle holder into the housing provided on the Skate chassis.

BASKET

12. The basket is equipped with adjustable elastic straps to secure the contents. Before connecting the straps, place the elastic strings in the suitable position.

REMOVING THE WHEELS

13. To remove the rear wheels from the Skate chassis, pull out the pin while taking off the wheels.
14. To remove the front wheels from the Skate chassis, turn the fixing knobs until the indicators are red, then take off the wheels.

ATTACHING THE Skate-SEAT TO THE Skate CHASSIS

15. Before attaching the Skate-seat to the Skate chassis, make sure both locking systems are at the same height and rotated to the same position.
16. To attach the seat, insert the legs of the Skate seat into the holes in the Skate chassis until they click into place.
 - **IMPORTANT: Make sure the Skate-seat is attached properly by pulling it upwards.**
 - **IMPORTANT: This operation is required only if the Skate-seat is in carriage mode and your child weighs less than 9 kg (19.8 lbs).**

RECLINABLE Skate-SEAT

17. The Skate-seat can be reclined to 3 positions (horizontal, partially reclined and reclined) either facing parents or the other way.
 - To recline the Skate seat, pull up the handle behind the backrest and adjust the Skate seat to the position you want.
 - **Skate carriage seat:** the Skate-seat must be fully horizontal.
 - **Skate stroller seat:** the Skate-seat can be inclined to the 3 positions available.

HEIGHT ADJUSTABLE Skate-SEAT

18. The Skate-seat is height adjustable to 3 positions:
To adjust the height, press the two side buttons on the Skate chassis and simultaneously move the Skate-seat up or down until they click into place. To make sure that the Skate-seat is secured, check the 3 arrows on the Skate chassis.

LEGREST

19. If the Skate seat is in the carriage position, the leg rest must stay in the reclined (flat) position. If the Skate seat is in the stroller seat position, the leg rest can be adjusted to 2 positions (reclined or upright).
20. To adjust it, pull the side adjuster traps and place over the side pins. Pull the additional loose strap under the stroller seat and attach it to the Velcro on the bottom of the seat.

BACKREST

21. The backrest can be set in 3 positions: horizontal, partially raised, and raised.
To adjust the backrest, take the central strap and place one of the 3 eyelets on the pin behind the backrest.

BUMPER BAR/CARRYING HANDLE

22. To attach it, place the fasteners of the bumper bar on the Skate-seat side buttons, push the buttons down and slide the bumper bar into the groves until it snaps in. The bumper bar can be attached to the Skate-seat in one way only.
23. To remove it, press the button below the bumper bar and slide out of the groves.
24. The bumper bar can be opened and closed: to make it easier for the child to go in and out of the stroller when he/she is older.
To open it: press the two round buttons simultaneously and pull the bumper bar outwards.
To close it: follow these steps the other way round.
25. The bumper bar can be adjusted to 2 positions: position (A) – bumper bar mode – and position (B) – carrying handle mode, to carry a child up to 9 kg (19.8 lbs) only when the Skate-seat is used as a carriage.
- To adjust it in height: open the two levers inward, move the bumper bar up or down and close the two levers again.

DETACHING THE Skate-SEAT FROM THE Skate CHASSIS

26. Raise the bumper bar to the up position (carrying handlebar), hold it and pull it upwards (1), detach the Skate-seat on one side (2) then on the other (3) by pressing the tabs where the hood attaches.
- **IMPORTANT: when the child is seated, this operation can be carried out only if the Skate seat is in carriage mode and your child weighs less than 9 kg (19.8 lbs).**

REVERSIBLE Skate-SEAT

- The Skate-seat is reversible, so it can be attached to the Skate chassis to face parents or let your

child see what's ahead.

27. **Skate carriage seat:** must be fixed to the Skate chassis so it faces parents to keep a constant eye on your little baby.
28. **Skate stroller seat:** can be fixed to the Skate chassis so the baby can face parents (1) or see what's ahead (2).

HOOD

29. To mount the hood, insert the hood fasteners into the proper holes of the Skate seat with the snaps to the rear of the stroller seat, then fasten all 4 snaps on the Skate seat.
30. To remove it, unsnap the hood from the side Skate seat, press in the thin black buttons under the grey tabs and pull the hood off.
31. The hood can also be extended for use in the carriage mode by unzipping the zipper on the outside of the hood.

BOOT

32. To place the boot on the Skate seat, fasten the two snaps at the bottom of the Skate seat and put the elastic strings onto the two side pins on the bumper bar. The boot also has side magnets to help secure it to the Skate seat. When using the boot in the carriage position you can unzip the boot to allow more room for your children's feet.

RAIN COVER

33. To attach it, zip the rain cover and the hood together (A), pull the bottom part of the rain cover under the Skate-seat (B), pass the elastic strings and buttons behind the locking system of the Skate-seat (C), then button them up to the rain cover (D).
- The rain cover can be opened while attached to the Skate-seat due to the elastic strings, but the zipper must be open.
 - If you want to turn the Skate-seat, you do not need to remove the rain cover as it is attached to the Skate-seat and not to the Skate chassis.
 - Do not use the rain cover in closed environments and always make sure the child is not too hot.
 - Do not place the rain cover near heat sources and be careful with cigarettes.
 - Check that the rain cover does not hinder the correct functioning of the carriage or stroller.
 - Always remove the rain cover before closing your carriage or stroller.
 - Wash with a sponge and soap water, without using detergents.

5 POINT HARNESS SAFETY BELT

34. Safety belts are stored under the interior Skate-seat padding in their proper housings.
35. The seat belt is hidden under the interior Skate-seat padding: From the carriage position to access the safety belts, you need to unsnap the 4 snaps where the backrest meets the bottom of the seat. Pull up the seat pad and pull the shoulder harness out. Next slide the crotch strap thru the slit in the seat pad.

Snap all 4 snaps back down on the seat pad.

- 36•To fasten the harness, check that the shoulder straps are properly inserted in the waist strap, then click together the buckle of the waist strap and the leg strap. To unfasten the harness, press on the side of the buckle while pulling the waist strap upwards.

The new safety belt is easier to wear, thanks to the "snap open and shut" system. Before attaching the safety belt, attach the small buckle to the backrest by inserting the tab into the special holder, as shown in the figure. Next, fasten the safety belt on your child, and then detach the belt from the backrest to allow the child more freedom of movement. The small buckle should be placed below the child's shoulders. To tighten the waist strap, pull on both sides in the direction of the arrow (fig_6). To loosen it do the opposite. The waist strap can be tightened as far as the safety lock.

FOLDING THE STROLLER/CARRIAGE

- Close the hood, if attached:
 - Move the Skate-seat down to the lowest position.
- 37•If the Skate-seat is attached to the Skate chassis facing parents, first pull out the safety trigger (1) and simultaneously recline the Skate-seat by pulling up the handle behind the backrest (2), then align the seat to the Skate handlebar assembly (3).
- 38•If the Skate-seat is attached to the Skate chassis so that the child can see what's ahead, recline the Skate-seat by pulling up the handle behind the backrest and align the seat to the Skate chassis.
- 39•To close the Skate chassis when it is fully reclined, move the telescopic handlebar if extended to the lowest position. Press the folding pedal with a foot. Next pull the left trigger and then the right trigger.
- 40•**now you will lower the handlebar down and rotate the handle grip down.**
- 41•take out the locking levers and attach them to the side pins.
- 42•It stands on its own with the large wheels closest to the ground.
- To fold the Skate chassis in a compact way, remove the Skate-seat and wheels.

CARRYING THE STROLLER/CARRIAGE

- 43•There are two carrying modes. You can carry the carriage/stroller either holding the handle under the basket or as a trolley; the handlebar must be long and straight and the front wheels in the non-swivel position.

Skate chassis + primo viaggio car seat

- Standard adapters allow to attach the Skate chassis to the car seat group 0+ "Primo Viaggio SIP" or "Primo Viaggio tri-fix" Peg Perego.
- 44•Before attaching the adapters, check that the two locking systems of the Skate chassis are in

the central and upright position.

- If you are standing behind the stroller pushing it, DX is the right side and SX is the left side.
- 45•To attach the adapters, place the locking systems in the holes of the Skate chassis.
- 46•To attach the car seat to the Skate chassis, place the seat facing parents next to the adapters and push it down so it attaches to the 2 adapter pins in the middle notches on the bottom of the car seat, The car seat can be adjusted to 3 height positions.
- To release the car seat from the Skate chassis, pull up the lever on the backrest of the car seat.
- 47•To remove the adapters, press the inside button and pull them upward.

accessory range

- 48•Skate bag: Multi-function bag, can be attached to the handlebar (A) and basket (B). Contains a nappy change mat and a removable thermal bottle holder.

removable lining

REMOVE THE OUTER LINING

- Remove the hood, cover and bumper bar if attached, and fully lower the backrest and legrest.
- 49•Unfasten the 2 buttons near the center of the unit on the inner padding from the outer lining.
- Unbutton the outer lining on both sides of the top from inside the Skate-seat.
- 50•Open the 3 zippers on the outer lining (1 at the bottom and 2 at the top of the Skate-seat).
- 51•On the outside of the Skate seat, unfasten the two elastic strings of the outer lining from the T shaped pins on both sides of the seat.
- 52•From inside the Skate-seat, first remove the upper part and then the side parts of the inner lining from the side pins.
- 53•Take out the outer lining from the Skate-seat, together with the backrest adjusting strap.
- 54•Move down the outer lining.
- 55•Unscrew the 6 pins from the bottom of the Skate-seat.

TAKE OUT THE INNER PADDING

- To take out only the inner padding, remove the outer lining without unscrewing the pins.
 - If the safety belts are out, put them in the padding under the seat.
- 56•Take the 2 fixing tabs of the inner padding out of the Skate-seat.
- 57•Take the 4 fixing tabs of the inner padding out of the sides of the Skate-seat.
- 58•Take the backing of the Skate-seat out of the pocket behind the inner padding.

cleaning & maintenance

- This product requires some maintenance. Cleaning and maintenance operations must be carried out only by adults.
- You are recommended to keep clear all the

Le agradecemos haber elegido un producto Peg-Pérego.

características del artículo

- Este artículo está numerado en orden progresivo.
- Skate es un único producto con 2 funciones gracias a la silla-Skate, que transforma el cochecito en silla de paseo.
- Skate está compuesto por dos elementos: CHASIS-Skate y SILLA-Skate.

SILLA-Skate PARA SU USO COMO COCHECITO

- debe engancharse al chasis-Skate y colocarse de cara a la mamá
- debe colocarse en posición horizontal
- debe tener el reposapiés y el respaldo bajados.
- la capota con cremallera debe estar abierta y el cubrepies con cremallera cerrado.
- puede utilizarse sin el chasis-Skate y puede transportarse con el manillar.

SILLA-Skate PARA SU USO COMO SILLA DE PASEO

- puede engancharse al chasis-Skate y colocarse de cara a la mamá o de cara a la calle
- puede reclinarse en 3 posiciones.
- debe tener el reposapiés levantado.
- la capota con cremallera debe estar abierta y el cubrepies con cremallera cerrado.
- no puede utilizarse sin el chasis-Skate.

⚠️ ADVERTENCIA

- **LEER ATENTAMENTE ESTAS INSTRUCCIONES Y CONSERVARLAS PARA FUTURAS CONSULTAS. LA SEGURIDAD DEL NIÑO PUEDE PONERSE EN PELIGRO SI NO SE SIGUEN ESTAS INSTRUCCIONES.**
- DISEÑADO PARA UN NIÑO CON UN PESO MÁXIMO DE 20 KG Y UNA ALTURA MÁXIMA DE 110 CM. LA CESTILLA HA SIDO REALIZADA PARA SOPORTAR UN PESO MÁXIMO DE 5 KG. LOS POSIBLES PORTABEBIDAS QUE VAN CON ESTE PRODUCTO ESTÁN CONCEBIDOS PARA SOPORTAR EL PESO MÁXIMO ESPECIFICADO EN EL PORTABEBIDAS EN CUESTIÓN. CUALQUIER BOLSA ENTREGADA JUNTO AL PRODUCTO ESTÁ REALIZADA PARA SOPORTAR UN PESO MÁXIMO DE 0,2 KG.

moving parts and lubricate them with light oil, if required, as described at point 59.

- Dry all metal parts to avoid rust.
 - Regularly wipe all plastic parts with a wet cloth; do not use solvents or similar products.
 - Protect this product against environmental agents, water, rain or snow; prolonged exposure to direct sunlight could change the color of materials.
 - Store the product in a dry place.
59. **A**-Keep the tires inflated to correct pressure
B- Keep it clean and free of dust and stones.
C- Keep it clean and free of dust and stones; regularly apply oil to the point shown.
D- Keep it clean and free of dust and stones; DO NOT lubricate.
- To clean the fabric parts: brush fabric parts to remove dust and wash by hand at a maximum temperature of 30°C; do not wring; do not use chlorine bleach, do not iron; do not dry clean; do not apply solvent-based stain removers and do not dry in a tumble dryer.



assistance service

If parts of the product are lost or damaged, replace only with original Peg-Pérego spare parts. For any repairs, replacements, product information and the sale of original spare parts and accessories contact the Peg-Pérego Assistance Service:

USA:

tel.: 800.671.1701

fax: 260.471.6332

Call us toll free: 1.800.671.1701

CANADA:

tel.: 905.839.3371

fax: 905.839.9542

Call us toll free: 1.800.661.5050

www.pegperego.com

Peg-Pérego may modify the products described in this publication at any time for technical or commercial reasons.

- SI NO SE RESPETAN LAS INDICACIONES ESPECIFICADAS O SI SE USAN ACCESORIOS DIFERENTES DE LOS HOMOLOGADOS POR EL FABRICANTE, EL PRODUCTO PUEDE SER INESTABLE.
- PARA EVITAR LESIONES GRAVES POR CAÍDAS O SI ESCAPA EL NIÑO DE LA SILLA DE PASEO, USAR SIEMPRE UN CINTURÓN DE SEGURIDAD DE 5 PUNTOS COMPLETO.
- NO DEJAR NUNCA AL NIÑO SIN VIGILANCIA.
- USAR SIEMPRE TODOS LOS DISPOSITIVOS DE BLOQUEO CADA VEZ QUE LA SILLA DE PASEO NO ESTÉ EN MOVIMIENTO.
- PARA EVITAR LESIONES GRAVES, ASEGURARSE DE QUE EL NIÑO NO PUEDA MOVERSE PELIGROSAMENTE MIENTRAS SE REGULA EL PRODUCTO.
- TODAS LAS OPERACIONES DE ENSAMBLAJE DEBE REALIZARLAS SOLO UN ADULTO.
- NO LEVANTAR LA SILLA DE PASEO COGIÉNDOLA POR LA BARRA FRONTAL. LA BARRA FRONTAL NO HA SIDO CONCEBIDA PARA SOPORTAR PESOS.
- ASEGURARSE DE QUE LA SILLA DE PASEO ESTÉ ABIERTA CORRECTAMENTE Y BLOQUEADA EN LA POSICIÓN CORRECTA PARA SU UTILIZACIÓN.
- ASEGURARSE DE QUE LA SILLA DE AUTO O EL COCHECITO ESTÉN ENGANCHADOS CORRECTAMENTE A LA SILLA DE PASEO.
- NO USAR LA SILLA DE PASEO CERCA DE ESCALERAS O ESCALONES; PRESTAR ATENCIÓN CUANDO SE UTILIZA EN ESCALERAS O ESCALERAS MECÁNICAS.
- NO UTILIZAR EL PRODUCTO SI PRESENTA PARTES DAÑADAS O SI FALTA ALGUNA PARTE.
- NO USAR EN PRESENCIA DE LLAMAS O FUENTES DE CALOR.
- CUANDO SE USE EL ARTÍCULO COMO COCHECITO, REMETA EL CINTURÓN O HARNÉS DE SEGURIDAD POR DEBAJO DE LA TAPICERÍA A FIN DE EVITAR POSIBLES ENREDOS.
- AVISO: ESTE PRODUCTO CUMPLE SUFICIENTEMENTE CON TODOS LOS REQUISITOS ESTABLECIDOS POR LA NORMA ASTM F833 Y ULTERIORES REVISIONES.

componentes del artículo

- Compruebe el contenido presente en el embalaje y, en caso de reclamación, póngase en contacto con el Servicio de Asistencia.
- Chasis-Skate con cesta y bomba de serie
- 4 ruedas con amortizadores y rodamientos a bolas (2 ruedas delanteras giratorias o bloqueables – 2 ruedas traseras con cámara de aire)
- Portabebidas
- Silla-Skate
- Barra frontal
- Capota y cubrepieés
- Protector de lluvia
- Conjunto de adaptadores de serie para silla de auto del grupo 0+ "Primo Viaggio SIP" o "Primo Viaggio tri-fix" de Peg-Pérego.

instrucciones de uso

MONTAJE DE LAS RUEDAS

1. Quite las llantas de protección de las ruedas traseras. Para el montaje de las ruedas traseras inserte los pernos en su correspondiente lugar hasta oír el clic de enganche.
 2. Antes de montar las ruedas delanteras, asegurarse de que los indicadores de los pomos de fijación estén de color rojo. Introducir los pernos de las ruedas en sus respectivos alojamientos prestando atención a que coincidan las líneas verdes de las ruedas con aquellas de los alojamientos. Por último, girar los pomos de fijación hasta que los indicadores estén de color verde.
- **IMPORTANTE: para comprobar su correcto enganche, tire de las ruedas.**

ABERTURA del Chasis-Skate

3. Para abrir el chasis-Skate, desenganchar las palancas de cierre de los pernos laterales y empujarlas hacia arriba hasta que entren del todo.
 4. Si está completamente bajado, levantar el manillar aunque esté en una sola posición para que no interfiera con el pedal de cierre centralizado (abra las dos palancas hacia fuera, coloque el manillar y vuelva a cerrar las dos palancas).
 5. Cierre el chasis-Skate con un pie y levante el manillar hasta oír el clic de enganche. Compruebe la correcta abertura del chasis y compruebe que en el pedal de cierre centralizado no aparezca el color rojo. En caso contrario, apriete con fuerza el chasis hacia abajo.
 - También puede abrirse el chasis-Skate con la silla-Skate enganchada, una vez abierto el chasis-Skate recline la silla-Skate a su gusto.
- **IMPORTANTE: no siente al niño en la silla-Skate antes de abrir el chasis-Skate.**

FRENO CENTRALIZADO

6. Para frenar la silla de paseo, bajar con el pie las

palancas colocadas en las ruedas posteriores como muestra la figura. Para desbloquear los frenos, actuar en sentido contrario.

RUEDAS DELANTERAS GIRATORIAS

7. Para hacer que las ruedas delanteras sean giratorias, tirar hacia arriba de la pieza de bloqueo tal y como indica la figura A. Para hacer que las ruedas sean fijas, presionar sobre la pieza de bloqueo hacia abajo tal y como indica la figura B. Las ruedas se fijan automáticamente al dar un giro.

RUEDAS TRASERAS INFLABLES

8. Se suministra una bomba para inflar las ruedas traseras que se encuentra debajo de la cesta. Extraer desde arriba de la bomba la cuerda y enroscarla, como muestra la figura. Saque el tapón de la válvula de la rueda e inserte el cordel de la bomba.
 - **Se recomienda inflar las ruedas a 25 psi/1,7 bar de presión para el primer uso.**
 - **IMPORTANTE: no infle excesivamente las ruedas; la presión máxima es la que figura en la rueda.**

MANILLAR

- El manillar del chasis-Skate es telescópico (desplegable en 3 posiciones) y con posibilidad de regular su altura en varias posiciones.
9. Para desplegar el manillar, tire simultáneamente de las dos palancas hacia arriba y coloque el manillar a la altura deseada.
 10. Para regular la altura del manillar, abra las dos palancas hacia fuera, coloque el manillar y vuelva a cerrar las dos palancas.

PORTABEBIDAS

11. El portabebidas puede colocarse en ambos lados del chasis-Skate. Para montarlo, encaje la parte posterior del portabebidas en los enganches del chasis-Skate.

CESTA

12. La cesta está equipada con correas elásticas regulables para bloquear los objetos. Antes de enganchar las correas, coloque los elásticos en la posición deseada.

EXTRACCIÓN DE LAS RUEDAS

13. Para extraer las ruedas traseras del chasis-Skate, tire del perno hacia fuera y extraiga las ruedas simultáneamente.
14. Para extraer las ruedas delanteras del chasis-Skate, gire los pomos de fijación hasta que los indicadores estén rojos y extraiga las ruedas.

ENGANCHE DE LA SILLA-Skate AL CHASIS-Skate

15. Antes de enganchar la silla-Skate, compruebe que los puntos de enganche del chasis-Skate estén ambos en la misma posición.
16. Para engancharla, coloque los enganches de la silla-Skate en los lugares correspondientes del

chasis-Skate hasta oír el clic de enganche.

- **IMPORTANTE: compruebe el correcto enganche tirando de la silla-Skate hacia arriba.**
- **IMPORTANTE: con el niño en el asiento efectuar esta operación solo cuando el asiento-Skate está en el capazo y si el bebé pesa menos de 9 kg (19.8 lbs).**

SILLA-Skate RECLINABLE

17. La silla-Skate puede reclinarse en 3 posiciones (horizontal, parcialmente reclinada y reclinada) tanto hacia la mamá como hacia la calle.
 - Para reclinar la silla-Skate: levante la palanca situada detrás del respaldo y coloque la silla-Skate a su gusto.
 - **Silla-Skate para su uso como cochecito:** la silla-Skate debe estar totalmente horizontal.
 - **Silla-Skate para su uso como silla de paseo:** la silla-Skate puede reclinarse en las 3 posiciones.

SILLA-Skate CON ALTURA REGULABLE

18. La altura de la silla-Skate puede regularse en 3 posiciones: apriete a la vez los dos pulsadores laterales del chasis-Skate y simultáneamente levante o baje la silla-Skate hasta oír los dos clics de enganche. Compruebe la correcta colocación de la silla-Skate en el chasis-Skate mediante la comprobación de las 3 flechas en el chasis-Skate.

REPOSAPIÉS

19. El reposapiés puede regularse en 2 posiciones.
 - **Asiento-Skate como capazo:** como muestra la figura (A).
 - **Asiento-Skate como silla de paseo:** como muestra la figura (B).
20. Para subirlo, tirar de las correas laterales y fijarlas en los dos pernos laterales; bloquear las correas debajo del asiento-Skate.

RESPALDO

21. El respaldo puede regularse en 3 posiciones: bajado, parcialmente levantado y levantado. Para regularlo colocar una de las 3 ranuras de la correa central en el perno colocado en la parte posterior del respaldo.

BARRA FRONTAL-MANILLAR DE TRANSPORTE

22. Para montarla coloque los enganches de la barra frontal en los pulsadores laterales de la silla-Skate, apriete los pulsadores con los enganches y empújelos hacia arriba hasta oír los dos clics de enganche. La barra frontal sólo puede engancharse a la silla-Skate en un único sentido.
23. Para desengancharlo, apriete los pulsadores laterales de la silla-Skate y saque hacia abajo las guías de los enganches del frontal.
24. La barra frontal es de quita y pon: para facilitar la entrada del bebé cuando es más grande. Para abrirlo: apriete a la vez los dos pulsadores redondos y tire de la barra frontal hacia fuera. Para cerrar: haga lo mismo pero en sentido

contrario.

25. La altura de la barra frontal puede regularse en 2 posiciones: posición (A) uso frontal y posición (B) uso manillar de transporte, para transportar al bebé si pesa menos de 9 kg (19.8 lbs) únicamente cuando la silla-Skate se usa como cochecito.
- Para regular la altura: abra las dos palancas hacia dentro, coloque la barra frontal arriba o abajo y vuelva a cerrar las dos palancas.

DESENGANCHE DE LA SILLA-Skate DEL CHASIS-Skate

26. Coloque la barra frontal en la posición alta (manillar de transporte), sujétela y tire de ella hacia arriba (1), desenganche la silla-Skate primero por un lado (2) y después por el otro (3) apretando las palancas de desenganche.
- **IMPORTANTE: con el niño en el asiento efectuar esta operación solo cuando el asiento-Skate está en el capazo y si el bebé pesa menos de 9 kg (19.8 lbs).**

SILLA-Skate REVERSIBLE

- La silla-Skate es reversible y puede engancharse al chasis-Skate de cara a la mamá o de cara a la calle.
27. **Silla-Skate para su uso como cochecito:** deberá engancharse al chasis-Skate únicamente de cara a la mamá para no perder de vista al bebé.
28. **Silla-Skate para su uso como silla de paseo:** puede engancharse al chasis-Skate de cara a la mamá (1) o de cara a la calle (2).

CAPOTA

29. Para montarla encaje los enganches de la capota en los lugares correspondientes de la silla-Skate y abotónela con los cuatro botones de la silla-Skate.
30. Para desmontarla, desabotone los laterales de la capota de la silla-Skate, apriete los dos pulsadores (situados debajo el punto de enganche de la capota) y suelte simultáneamente los enganches.
31. La capota puede regularse en 2 posiciones: hacia delante o hacia atrás. La cremallera permite otra regulación, abra la cremallera cuando la silla-Skate se use como cochecito.

CUBREPIÉS

32. Para montarla, colóquela en la silla-Skate (los imanes laterales facilitan su correcta colocación), abotone los dos botones situados a los pies de la silla-Skate y sujete los elásticos a los pequeños clavos laterales del frontal. La cremallera abierta permite el uso del cubrepiés cuando la silla-Skate se usa como silla de paseo para aumentar la profundidad para los pies del bebé.

PROTECTOR DE LLUVIA

33. Para montarla, abra la cremallera del protector de lluvia a la de la capota (A), coloque la parte inferior del protector de lluvia debajo de la silla-

Skate (B), pase los elásticos con los botones por detrás de los enganches de la silla-Skate (C) y abotónelos al protector de lluvia (D).

- Puede abrir el protector de lluvia dejándola sujeta a la silla-Skate gracias a los elásticos, con sólo abrir la cremallera.
- En caso de que desee girar la silla-Skate no es necesario sacar el protector de lluvia ya que se mantendrá sujeta a la silla-Skate, sin afectar al chasis-Skate.
- No utilice el protector de lluvia en ambientes cerrados y compruebe siempre que el bebé no esté acalorado.
- No coloque el protector de lluvia cerca de fuentes de calor y tenga cuidado con los cigarrillos.
- Compruebe que el protector de lluvia no interfiera con ningún mecanismo en movimiento del cochecito o de la silla de paseo.
- Quite siempre el protector de lluvia antes de cerrar el cochecito o la silla de paseo.
- Lávela con una esponja y agua con jabón y no utilice detergentes.

CINTURÓN DE SEGURIDAD DE 5 PUNTOS

34. Los cinturones de seguridad, antes de utilizarlos por primera vez, están colocados debajo la silla-Skate en su lugar correspondiente.
35. El cinturón está oculto bajo el acolchado de la silla-Skate, para extraerlo: desabroche el acolchado, saque el cinturón de contorno de la cintura con arneses y engarce la separación de las piernas del cinturón en el ojal del acolchado. Abotone el acolchado.
36. Para enganchar el cinturón de seguridad, compruebe que los arneses estén debidamente insertados en el cinturón abdominal. Metas las hebillas del cinturón abdominal en la tira entrepiernas hasta oír el clic. Para desenganchar el cinturón de seguridad, apriete los lados de la hebilla y tire simultáneamente del cinturón abdominal hacia fuera.
- El nuevo cinturón de seguridad desde ahora es más fácil de poner gracias al sistema "quita y pon". De hecho, antes de enganchar el cinturón hay que poner la hebilla en el respaldo metiendo la lengüeta en su presilla como indica la figura; luego cuando se ha enganchado el cinturón al niño hay que quitarlo del respaldo para dejar al niño más libre en sus movimientos. La hebilla tiene que quedar por debajo de los hombros del niño. Para apretar el cinturón ventral, tirar de ambos lados siguiendo el sentido de la flecha (fig_6). Para aflojarlo, realizar la operación inversa. El cinturón ventral puede apretarse hasta el limitador de seguridad.

CIERRE

- Cierre la capota, si está colocada.
 - Baje la silla-Skate a la altura más baja.
37. Si la silla-Skate está colocada en el chasis-Skate de cara a la mamá: tire primero la palanquita de seguridad hacia fuera (1) y recline la silla-Skate

- levantando el pomo situado detrás del respaldo (2) y colóquela alineada con el chasis-Skate (3).
38. Si la silla-Skate está colocada en el chasis-Skate de cara a la calle: recline la silla-Skate levantando la palanca situada detrás del respaldo y colóquela alineada con el chasis-Skate.
 39. Para cerrar el chasis-Skate, si está desplegado, coloque el manillar telescópico en la posición más baja y apriete con un pie el pedal de cierre centralizado;
 40. **Baje el manillar y gírelo hacia abajo;**
 41. Extraiga y enganche las palancas de cierre sujetándolas a los pernos laterales.
 42. Cerrado se queda de pie por sí solo.
 - Para un cierre compacto del chasis-Skate, desenganche la silla-Skate y extraiga las ruedas.

TRANSPORTE

43. Existen dos modalidades de transporte. Puede transportarse agarrándolo por el pomo situado debajo de la cesta, o bien como maleta con ruedas: extienda y enderezca el manillar y coloque las ruedas delanteras en la posición fija.

chasis-Skate + silla de auto primo viaggio

- Gracias a los adaptadores de serie puede enganchar al chasis-Skate la silla de auto del grupo 0+ "Primo Viaggio SIP" o "Primo Viaggio tri-fix" de Peg Perego.
44. Antes de enganchar los adaptadores, compruebe que los puntos de enganche del chasis-Skate estén ambos en la posición central y vertical.
 - Diferencie el adaptador derecho (DX) del adaptador izquierdo (SX) mediante las siglas DX e SX.
 45. Para enganchar los adaptadores, coloque los enganches en los lugares correspondientes de encaje del chasis-Skate hasta oír el clic de enganche.
 46. Para enganchar la silla de auto al chasis-Skate, coloque la silla de cara a la mamá según los adaptadores y empújela hacia abajo. La altura de la silla de auto puede regularse en 3 posiciones.
 - Para desenganchar la silla de auto del chasis-Skate, utilice la palanca correspondiente situada encima del respaldo de la silla de auto y levántela.
 47. Para desenganchar los adaptadores, apriete el pulsador interior y extráigalos.

línea accesorios

48. Bolsa Skate: Bolsa multifuncional, se engancha al manillar (A) y a la cesta (B). Equipada con un colchón para cambiar al bebé y con un portabiberones térmico extraíble.

desenfundable

PARA DESENFUNDAR LA FUNDA EXTERNA

- Saque la capota, el cubrepíés y la barra frontal,

si están colocados, y baje completamente el respaldo y el reposapiés.

49. Desenganche los 2 botones del acolchado de la funda externa.
 - Desenganche de ambos lados y del interior de la silla-Skate, el botón de la funda externa.
50. Abra las 3 cremalleras de la funda externa (1 a los pies de la silla-Skate y 2 en la parte superior de la silla-Skate).
51. Desenganche de ambos lados los 2 elásticos de la funda externa de los pernos de la silla-Skate.
52. Desenganche del exterior de la silla-Skate, primero la parte superior y después la lateral de la funda externa del perno lateral, hágalo en ambos lados.
53. Saque la funda externa de la estructura de la silla-Skate así como la correa de regulación del respaldo.
54. Baje la funda externa.
55. Afloje las 6 clavijas del asiento de la silla-Skate.

PARA DESENFUNDAR EL ACOLCHADO

- Si desea desenfundar solamente el acolchado, desenfunde la funda externa sin aflojar las clavijas.
 - Si los cinturones de seguridad están fuera, colóquelos debajo la silla, en el acolchado.
56. Suelte las 2 aletas de fijación del acolchado del cabezal de la silla-Skate.
 57. Suelte las 4 aletas de fijación del acolchado de los lados de la silla-Skate.
 58. Saque el refuerzo de la silla-Skate por el bolsillo situado en la parte posterior del acolchado.

limpieza y mantenimiento

- Este artículo necesita un mantenimiento mínimo. Las operaciones de limpieza y mantenimiento deberán ser realizadas únicamente por adultos.
 - Se recomienda limpiar todas las piezas en movimiento y, si procede, engrasarlas con un aceite ligero, con arreglo al esquema que figura en el punto 59.
 - Seque las piezas metálicas del producto para evitar que se oxiden.
 - Limpie periódicamente las piezas de plástico con un paño húmedo, no utilice disolventes ni otros productos similares.
 - Proteja este artículo de los agentes atmosféricos, del agua, de la lluvia o de la nieve; su exposición continua y prolongada al sol podría producir cambios de color en muchos materiales.
 - Conserve este artículo en un lugar seco.
59. **A-** Mantenga las ruedas infladas a la presión indicada
 - B-** Manténgalo limpio y libre de polvo y piedras
 - C-** Manténgalo limpio y libre de polvo o piedras; engrase periódicamente en el punto indicado.
 - D-** Manténgalo limpio y libre de polvo o piedras; NO lo engrase.
- Para el mantenimiento de las piezas de tejido: cepillar las partes de tejido quitando el polvo

y lavar a mano a una temperatura máxima de 30°. No torcer, no usar lejía, no planchar, no lavar en seco, no usar solventes y no secar utilizando secadoras de tambor rotativo.



servicio de asistencia

En caso de daños o pérdidas fortuitos, utilizar sólo respuestos originales Peg-Pérego.

Para eventuales reparaciones, cambios e informaciones sobre los productos, así como para la venta de respuestos originales y accesorios, contactar el Servicio de Asistencia Peg-Pérego:

USA:

tel.: 800.671.1701

fax: 260.471.6332

Call us toll free: 1.800.671.1701

www.pegperego.com

Peg-Pérego podrá modificar en cualquier momento, por razones técnicas o comerciales, los productos que se describen en esta publicación.

FR_Français

Merci d'avoir choisi un produit Peg-Pérego.

caractéristiques de l'article

- Chaque pièce est numérotée
- Skate est un 2 en 1 grâce à son hamac transformable de poussette à landau
- Skate est composé de deux éléments: le CHÂSSIS Skate et le HAMAC Skate

HAMAC Skate EN VERSION LANDAU

- Il doit être fixé sur le châssis Skate face à la maman
- Il doit être en position horizontale
- Le repose-pieds et le dossier doivent être allongés
- La capote doit être avec la fermeture éclair ouverte et le tablier avec la fermeture éclair fermée
- Il peut être utilisé sur le châssis Skate ou peut être transporté par la poignée

HAMAC Skate EN VERSION POUSSETTE

- Il doit être fixé sur le châssis Skate et être tourné face à la maman ou face à la route
- Il peut être incliné en 3 positions
- Le repose-pieds doit être relevé
- La capote doit avoir la fermeture éclair fermée et le tablier doit avoir la fermeture éclair ouverte.
- Il ne peut pas être utilisé sans le châssis Skate

⚠️ AVERTISSEMENT

- **LIRE CES INSTRUCTIONS AVEC ATTENTION ET LES CONSERVER POUR TOUTE RÉFÉRENCE FUTURE. LA SÉCURITÉ DE VOTRE ENFANT POURRAIT ÊTRE MENACÉE SI CES INSTRUCTIONS NE SONT PAS RESPECTÉES.**
- CE PRODUIT A ETE CONÇU POUR UN ENFANT DONT LE POIDS N'EXCEDE PAS 20 KG (45 LIVRES) ET LA TAILLE NE DEPASSE PAS 110 CM (43 POUCES). LE PANIER A ETE CONÇU POUR SUPPORTER DES CHARGES MAXIMALES DE 5 KG (11 LIVRES). LE PORTE-BOISSONS EVENTUELLEMENT FOURNI AVEC LE PRODUIT A ETE CONÇU POUR SUPPORTER DES CHARGES INDIQUÉES SUR LE PORTE-BOISSONS LUI-MEME. LES POCHETTES OU SACS FOURNIS AVEC CE PRODUIT ONT ETE CONÇUS

POUR SUPPORTER DES CHARGES MAXIMALES DE 0,2 KG (0,44 LIVRES).

- LE DEFAUT D'OBSERVATION DES SPECIFICATIONS DU FABRICANT OU L'EMPLOI D'ACCESSOIRES NON APPROUVES PAR LE FABRICANT PEUT AFFECTER LA STABILITE DU PRODUIT.
- POUR ÉVITER DE GRAVES BLESSURES SUITE À LA CHUTE OU AU GLISSEMENT DE L'ENFANT DU PRODUIT, TOUJOURS UTILISER UNE CEINTURE DE SÉCURITÉ À 5 POINTS COMPLÈTE.
- NE JAMAIS LAISSER L'ENFANT SANS SURVEILLANCE.
- TOUJOURS ACTIONNER LES FREINS LORSQUE LE PRODUIT EST A L'ARRET.
- POUR ÉVITER DE GRAVES BLESSURES LORS DU RÉGLAGE DU PRODUIT, S'ASSURER QUE LES MEMBRES DE L'ENFANT NE SONT PAS EN CONTACT AVEC DES PIÈCES EN MOUVEMENT.
- L'ENSEMBLE DES PROCÉDURES DE MONTAGE ET D'UTILISATION DOIT ÊTRE EFFECTUÉ PAR UN ADULTE.
- NE PAS SOULEVER LA POUSSETTE PAR LA BARRE FRONTALE. ELLE N'A PAS ÉTÉ CONÇUE POUR SUPPORTER DES CHARGES.
- S'ASSURER QUE LA POUSSETTE EST CORRECTEMENT OUVERTE EST BLOQUÉE DANS LA POSITION CONVENANT À SON UTILISATION.
- CONTRÔLER QUE LE SIÈGE ENFANT OU LE LANDAU EST CORRECTEMENT ACCROCHÉ À LA POUSSETTE.
- NE PAS UTILISER CE PRODUIT À PROXIMITÉ DE MARCHES OU D'ESCALIERS; PRÊTER ATTENTION À LA MANIPULATION DU PRODUIT DANS DES ESCALIERS OU DES ESCALATORS.
- NE PAS UTILISER LE PRODUIT SI DES PIÈCES SONT MANQUANTES OU CASSÉES.
- NE PAS UTILISER PRÈS DU FEU OU D'UNE FLAMME DIRECTE.
- LORS DE L'UTILISATION EN LANDAU, REPLIER LE HARNAIS DE SÉCURITÉ SOUS LA HOUSSE POUR ÉVITER TOUT RISQUE D'ÉTRANGLEMENT.
- REMARQUE : CET ARTICLE REMPLIT LES CONDITIONS REQUISES PAR LA NORME

ASTM F833 ET RÉVISIONS RÉCENTES OU SATISFAIT À DES CONDITIONS PLUS SÉVÈRES.

composants de l'article

- Vérifier le contenu du carton et en cas de réclamation, contacter votre magasin revendeur ou le service assistance.
- Châssis Skate avec panier et pompe de série
- 4 roues avec amortisseurs et roulement à bille (2 roues avant pivotantes ou fixes - 2 roues arrière gonflables)
- Porte-boisson
- Hamac Skate
- Main courante
- Capote et tablier
- Habillage pluie
- Kit d'adaptateurs pour siège auto Primo Viaggio trifix ou Primo Viaggio SIP Peg Perego

mode d'emploi

MONTAGE DES ROUES

1. Enlever les embouts de protection des roues arrière. Pour installer les roues à l'arrière, insérer les axes dans les logements prévus à cet effet jusqu'à entendre le clic d'enclenchement.
 2. Avant d'installer les roues avant, s'assurer que les témoins des poignées de fixation soient sur le rouge. Insérer l'axe des roues dans le logement prévu à cet effet, en veillant à faire coïncider les lignes vertes des roues avec celles de leurs logements. Enfin, faire tourner les poignées de fixation jusqu'à ce que les témoins passent au vert.
- **IMPORTANT: s'assurer que les roues soient correctement enclenchées en tirant dessus. Si les roues se décrochent, répéter les opérations précédemment décrites.**

OUVERTURE du châssis-Skate

3. Pour ouvrir le châssis Skate, décrocher les crochets de fermeture situés sur les côtés du châssis et les pousser vers le haut de façon à ce qu'ils rentrent dans leur logement.
 4. Si la poignée est complètement abaissée, la lever d'un cran pour ne pas buter sur la pédale centrale du châssis (ouvrir les deux petits leviers de chaque côté de la poignée, placer la poignée dans la position souhaitée et refermer les leviers).
 5. Bloquer le châssis Skate à l'aide du pied et soulever le guidon jusqu'au clic d'enclenchement. Vérifier l'ouverture correcte du châssis en contrôlant que la partie rouge de la pédale ne soit pas visible.
- Il est possible d'ouvrir le châssis Skate même lorsque le hamac Skate est fixé dessus. Ouvrir le châssis comme décrit ci-dessus et incliner le hamac dans la position souhaitée.
 - **IMPORTANT: Ne pas mettre l'enfant sur le hamac Skate avant d'avoir ouvert le châssis.**

FREIN CENTRALISÉ

6. Pour actionner le frein de la poussette, abaissez avec le pied la barre située sur les roues arrières comme indiqué sur le schéma. Pour débloquer les freins, relevez la barre.

ROUES AVANT PIVOTANTES

7. Pour mettre les roues avant en position pivotante, relever la pédale comme indiqué sur la figure A. Pour les mettre en position fixe, abaisser la pédale comme indiqué sur la figure B. Dès qu'elles se mettent droites, les roues se bloquent automatiquement.

ROUES ARRIÈRES GONFLABLES

8. Le châssis est équipé d'une pompe pour gonfler les roues arrière (pompe située sous le panier). Retirer l'embout de la pompe et le visser sur la pompe. Dévisser le bouchon de la valve de la roue et visser l'embout de la pompe sur la valve.
 - **Il est conseillé, lors de la première utilisation, de gonfler les roues à une pression de 25 psi/1,7 bar.**
 - **IMPORTANT: ne pas trop gonfler les roues, la pression maximale autorisée est indiquée sur la roue.**

POIGNÉE

- Le guidon du châssis Skate est télescopique (elle s'allonge en 3 positions) et la poignée est réglable en hauteur.
9. Pour allonger le guidon, actionner simultanément les deux petites poignées sur le guidon et positionner le guidon à la hauteur souhaitée.
 10. Pour régler la poignée en hauteur, ouvrir les deux petits leviers de chaque côté de la poignée, positionner la poignée dans la position souhaitée et refermer les deux leviers.

PORTE-BOISSON

11. Le porte-boisson peut se fixer indifféremment sur la partie droite ou la partie gauche du châssis Skate. Pour le fixer, enfilez l'arrière du porte-boisson dans les fixations du châssis Skate.

PANIER

12. Le panier comporte deux sangles élastiques réglables pour bloquer les objets. Avant de relier les sangles, positionner les élastiques dans la position souhaitée.

RETIRER LES ROUES

13. Pour retirer les roues arrière du châssis Skate, tirer sur l'axe et extraire la roue.
14. Pour retirer les roues avant du châssis Skate, tourner les poignées de fixation jusqu'à voir les indicateurs sur le rouge et extraire les roues.

FIXATION DU HAMAC Skate SUR LE CHÂSSIS Skate

15. Avant de fixer le hamac Skate, vérifier systématiquement que les logements de

fixation du châssis Skate soient toujours dans la même position.

16. Pour le fixer, positionner les fixations du hamac Skate dans les logements prévus à cet effet sur le châssis Skate jusqu'à entendre le clic d'enclenchement.
 - **IMPORTANT: s'assurer que la fixation est correcte en tirant le hamac Skate vers le haut. Si le hamac se décroche, répéter les opérations décrites ci-dessus.**
 - **IMPORTANT: quand l'enfant est installé dans le hamac Skate, effectuer cette opération uniquement quand le hamac Skate est en fonction landau et si le bébé pèse moins de 9 kg (19.8 lbs).**

HAMAC Skate INCLINABLE

17. Le hamac Skate s'incline en 3 positions: horizontale, intermédiaire et assise. Le hamac s'incline qu'il soit face à la route ou face à la maman.
 - **Pour incliner le hamac Skate:** actionner la poignée située derrière le dossier et positionner le hamac Skate dans la position souhaitée.
 - **Hamac Skate en version landau:** le hamac Skate doit absolument être en position horizontale.
 - **Hamac Skate en version poussette:** le hamac Skate peut être incliné dans les 3 positions.

HAMAC Skate RÉGLABLE EN HAUTEUR

18. Le hamac Skate est réglable en 3 hauteurs, appuyer simultanément sur les deux boutons situés de part et d'autre du hamac et soulever ou abaisser le hamac jusqu'aux clics d'enclenchement. Vérifier le positionnement correct du hamac Skate sur le châssis Skate en contrôlant les 3 flèches sur le châssis Skate.

REPOSE-PIEDS

19. Le repose-pieds est réglable en 2 positions.
 - **Siège-Skate en version landau :** comme sur la figure (A).
 - **Siège-Skate en version poussette :** comme sur la figure (B).
20. Pour le soulever, tirez les courroies latérales et fixez-les dans les deux goujons latéraux ; bloquer les courroies sous le siège Skate.

DOSSIER

21. Le dossier est réglable en 3 positions: allongé, intermédiaire et relevé. Pour le régler, enfilez les œillets un des trois œillets dans le piton situé à l'arrière.

MAIN COURANTE / POIGNÉE DE TRANSPORT

22. Pour la relever, positionner les fixations de la main courante sur les logements prévus à cet effet, enfoncez la main courante sur le bouton et faire glisser la main courante vers le haut jusqu'au clic d'enclenchement. La main courante ne se fixe au hamac Skate que dans un sens.
23. Pour la retirer du hamac, enfoncez les deux boutons latéraux situés sous la main courante et

faites glisser la main courante vers le bas jusqu'à ce qu'elle sorte du rail.

24. La main courante peut s'ouvrir et se fermer pour faciliter l'installation de l'enfant dans la poussette ou pour l'en sortir.
Pour l'ouvrir, appuyer simultanément sur les deux boutons ronds et tirer la main courante vers l'extérieur. Pour la refermer, agir en sens inverse.
25. La main courante est réglable en deux positions: position (A) à utilisation main courante lorsque le hamac est en position poussette et position (B) usage poignée de transport lorsque le hamac est en position landau et lorsque l'enfant pèse moins de 9 kg (19.8 lbs).
- Pour la régler, ouvrir les deux leviers vers l'intérieur, placer la main courante dans la position souhaitée et refermer les leviers.

DÉCROCHAGE DU HAMAC Skate DU CHÂSSIS Skate

26. Mettre la main courante en position haute (poignée de transport), la prendre en main et la tirer vers le haut (1). Décrocher le hamac Skate d'un côté puis de l'autre en appuyant sur les boutons de décrochage de chaque côté de la capote.
- **IMPORTANT: quand l'enfant est installé dans le hamac Skate, effectuer cette opération uniquement quand le hamac Skate est en fonction landau et si le bébé pèse moins de 9 kg (19.8 lbs).**

HAMAC Skate RÉVERSIBLE

- Le hamac Skate est réversible, il peut être fixé sur le châssis face à la route ou face à la maman.
27. **Hamac Skate en version landau:** il doit être fixé sur le châssis Skate tourné vers la maman pour ne pas perdre de vue l'enfant encore petit.
28. **Hamac Skate en version landau:** il peut être fixé au châssis Skate tourné vers la maman (1) ou vers la route (2).

CAPOTE

29. Pour installer la capote, enfilez les fixations de la capote dans les logements prévus à cet effet sur le hamac Skate et boutonner les quatre pressions sur le hamac.
30. Pour la retirer, déboutonner la capote du hamac Skate, appuyer sur les deux boutons (placés sous le logement de fixation de la capote) et extraire la capote.
31. La capote est réglable en deux positions: la fermeture éclair permet de l'agrandir ou la rétrécir pour s'adapter aux positions landau et poussette du hamac.

TABLIER

32. Pour l'installer, le placer sur le siège Skate (les aimants sur le côté facilitent le positionnement correct), boutonner les pressions aux pieds du hamac et fixer les élastiques aux clous de chaque côté de la main courante. La fermeture éclair ouverte permet d'utiliser le tablier quand le hamac Skate est en version poussette pour augmenter sa profondeur pour les pieds de l'enfant.

HABILLAGE PLUIE

33. Pour l'installer, relier la fermeture éclair de l'habillage pluie à celle de la capote (A), faire passer la partie inférieure de l'habillage pluie sous le hamac Skate (B), tirer les élastiques avec les pressions derrière les fixations du hamac Skate (C) et les pressions à l'habillage pluie.
- Grâce aux élastiques qui maintiennent l'habillage pluie, on peut l'ouvrir en ouvrant la fermeture éclair.
 - Si l'on souhaite tourner le hamac Skate, il n'est pas nécessaire de retirer l'habillage pluie car celui-ci ne tient que sur le hamac, il n'a aucun contact avec le châssis.
 - Ne pas utiliser l'habillage pluie dans une pièce fermée, et contrôler que l'enfant n'ait pas trop chaud.
 - Ne pas placer l'habillage pluie près d'une source de chaleur et faire attention aux cigarettes.
 - S'assurer que l'habillage pluie ne soit pas coincé dans un mécanisme du châssis ou de la poussette.
 - Toujours retirer l'habillage pluie avant de plier la poussette.

CEINTURE DE SECURITE A 5 POINTS

34. Les ceintures de sécurité sont positionnées, à la première utilisation sous la housse du hamac Skate, dans leur logement.
35. La ceinture est rangée sous l'habillage tissu du hamac. Pour la sortir, dépressionner le hamac, prendre la sangle ventrale avec les ceintures et enfilez la sangle entre-jambes de la ceinture dans l'œillet du hamac tissu. Repressionner le hamac tissu.
36. Pour fixer la ceinture, s'assurer que les bretelles soient correctement insérées dans la sangle ventrale, enfilez les boucles de la sangle ventrale dans la sangle entre-jambes jusqu'au clic. Pour décrocher la ceinture de sécurité, appuyer sur les côtés de la boucle et en même temps tirer la sangle ventrale vers l'extérieur.
Pour plus de facilité, avant d'installer l'enfant dans la poussette, accrochez la petite boucle au dossier en insérant la languette dans le passant prévu à cet effet à mi-hauteur du dossier. Une fois la ceinture bouclée sur l'enfant, détachez-la du dossier pour laisser l'enfant libre de ses mouvements. La petite boucle doit rester sous les épaules de l'enfant. Pour serrer la sangle ventrale, tirer des deux côtés dans le sens indiqué par la flèche (fig_6). Pour la desserrer, procéder à l'opération contraire. La sangle ventrale ne peut être serrée au-delà de la butée de sécurité.

FERMETURE

- Plier la capote si elle est ouverte.
 - Abaisser le hamac Skate au niveau le plus bas.
37. Si le hamac Skate est fixé au châssis face maman, actionner le bouton de sécurité (1) et incliner le hamac Skate en utilisant la poignée

située derrière le dossier (2) et basculer le hamac en arrière de façon à ce que le hamac soit parallèle au châssis.

38. Si le hamac Skate est fixé sur le châssis face à la route, incliner le hamac Skate avec la poignée située derrière le dossier et l'aligner au châssis Skate.
39. Pour fermer le châssis Skate, s'il est allongé, rentrer le guidon télescopique dans la position la plus basse, appuyer avec le pied sur la pédale centrale du châssis.
40. Abaisser le guidon.
41. Extraire et fixer les crochets de maintien sur les embouts latéraux.
42. Quand il est fermé, il tient debout tout seul.
 - Pour une fermeture compacte, décrocher le hamac Skate et retirer les roues.

TRANSPORT

43. Le landau poussette Skate peut se transporter pliée de deux façons: par la poignée sous le panier ou en le faisant rouler: allonger et redresser la poignée et mettre les petites roues en position fixe.

chassis Skate + siege auto primo viaggio

- Grâce aux adaptateurs livrés avec la poussette, les sièges auto Primo Viaggio SIP ou Primo Viaggio trifix peuvent se fixer sur le châssis Skate.
44. Avant de fixer les adaptateurs, vérifier que les logements de fixation du châssis soient tous les deux dans la position centrale ou verticale.
 - Il faut distinguer l'adaptateur de droite (DX) de l'adaptateur de gauche (SX) en regardant à l'intérieur où sont notés les sigles DX ou SX.
 45. Pour fixer les adaptateurs, positionner les fixations dans les logements du châssis Skate jusqu'au clic d'enclenchement.
 46. Pour fixer le siège auto au châssis Skate, positionner le siège tourné face maman en l'alignant bien sur les adaptateurs en l'enfoncer jusqu'au clic d'enclenchement. Le siège auto, peut être réglé en 3 hauteurs.
 47. Pour décrocher les adaptateurs, appuyer sur le bouton gris situé au centre des adaptateurs et les extraire.

accessoires

48. Borsa Skate: sac multifonctions. Il se fixe à la poignée (A) et au panier (B). Livré avec un matelas pour changer bébé et d'un porte-biberon isotherme.

dehoussable

POUR RETIRER LA HOUSSE EXTERNE (CONTOUR)

- Enlever la capote, le tablier et la main courante, s'ils sont fixés et abaisser entièrement le dossier et le repose-pieds.
49. Détacher les 2 pressions de la housse et détacher les pressions du côté sur la partie

intérieure.

50. Ouvrir les 3 fermetures éclair de la housse (1 aux pieds du hamac Skate et 2 à la tête du hamac Skate).
51. Détacher des deux côtés les 2 élastiques de la housse des embouts du hamac Skate.
52. Détacher de l'extérieur d'abord la partie supérieure puis la partie latérale de la housse de l'embout latéral. Procéder ainsi des deux côtés.
53. Retirer la housse de la structure du hamac Skate en retirant la courroie de réglage du dossier.
54. Abaisser la housse.
55. Dévisser les 6 pieds du fond du siège Skate.

POUR RETIRER LE HAMAC TISSU

- Pour retirer seulement le hamac tissu, il faut retirer la housse externe sans dévisser les pieds.
 - Si les ceintures de sécurité sont sorties, il faut les remettre sous le hamac dans leur logement.
56. Enlever les deux ailettes de fixation du hamac tissu de la tête du hamac Skate.
 57. Enlever les 4 ailettes de fixation du hamac tissu des côtés du hamac Skate.
 58. Retirer de la poche placée à l'arrière du hamac tissu le renfort du hamac Skate.

nettoyage et entretien

- Cet article a besoin d'un minimum d'entretien. Les opérations de nettoyage et d'entretien doivent être effectuées uniquement par des adultes.
 - Il est recommandé de maintenir toutes les parties mobiles propres et, au besoin, de les lubrifier avec une huile légère selon le schéma indiqué au point 59.
 - Essuyer les parties en métal du produit pour prévenir la formation de rouille.
 - Nettoyer périodiquement les parties en plastique avec un chiffon humide, ne pas utiliser de solvants ou d'autres produits semblables.
 - Protéger cet article contre les agents atmosphériques, eau, pluie ou neige ; l'exposition continue et prolongée au soleil pourrait altérer les couleurs de nombreux matériaux.
 - Conserver cet article dans un endroit sec.
59. **A-** Maintenir gonflées à la pression indiquée
 - B-** Maintenir propre et sans poussières ou cailloux
 - C-** Maintenir propre et sans poussières et cailloux; lubrifier périodiquement au point indiqué
 - D-** Maintenir propre et sans poussières ou cailloux ; NE PAS lubrifier.
- Pour l'entretien des parties en tissu, il faut : broser les éléments en tissu pour enlever la poussière et laver à la main à une température maximale de 30° ; ne pas tordre ; ne pas utiliser d'eau de javel ; ne pas repasser ; ne pas laver à sec ; ne pas détacher à l'aide de solvants ; ne pas sécher dans un sèche-linge à tambour rotatif.



service d'assistance

En cas de perte de pièces ou de rupture de l'une d'elles, utiliser exclusivement des pièces de rechange originales Peg-Pérego. Pour d'éventuelles réparations, remplacements, demandes d'informations relatives aux produits ou à la vente de pièces de rechange originales et d'accessoires, contacter le service d'assistance Peg-Pérego:

CANADA:

tel.: 905.839.3371

fax: 905.839.9542

Call us toll free: 1.800.661.5050

www.pegperego.com

Peg-Pérego se réserve le droit d'apporter à tout moment des modifications aux modèles décrits dans le présent ouvrage, pour des raisons de nature technique ou commerciale.

PEG PEREGO S.p.A.

VIA DE GASPERI 50 20043 ARCORE MI ITALIA
tel. 0039 039 60881 fax 0039 039 615869/616454

Servizio Post Vendita - After Sale:

tel. 0039 039 6088213 fax: 0039 039 3309992



PEG PEREGO U.S.A. Inc.

3625 INDEPENDENCE DRIVE FORT WAYNE INDIANA 46808
phone 260 482 8191 fax 260 484 2940

Call us toll free: 1 800 671 1701

PEG PEREGO CANADA Inc.

585 GRANITE COURT PICKERING ONTARIO CANADA L1W3K1
phone 905 839 3371 fax 905 839 9542

Call us toll free: 1 800 661 5050

www.pegperego.com

! WARNING:

AVOID SERIOUS INJURY FROM FALLING OR SLIDING OUT.
ALWAYS USE COMPLETE 5 POINT SEAT BELT.



skate
www.pegperego-skate.com